

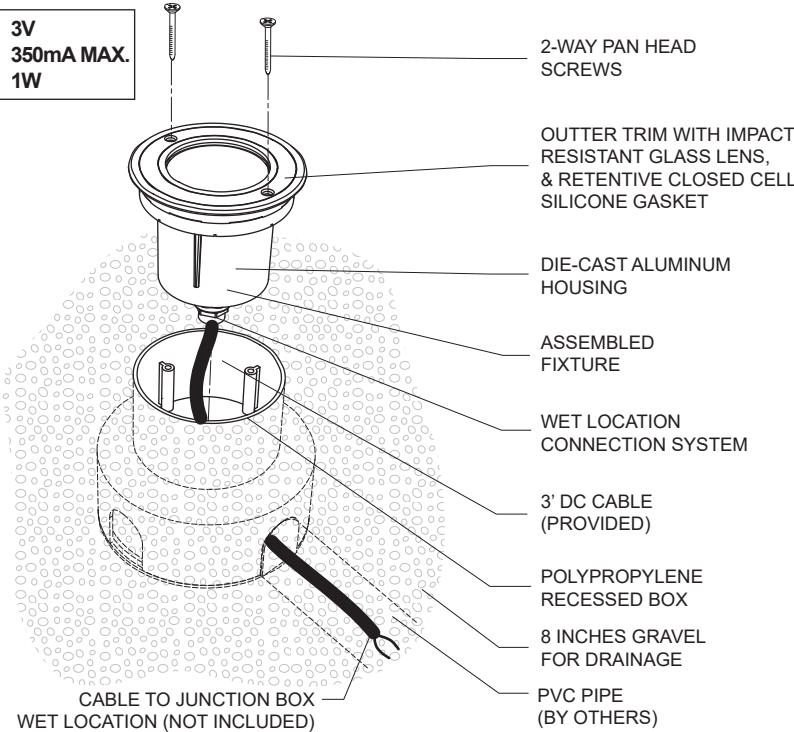
MICROZIP

**MICROZIP LED ROUND:
MICROZIP LED SQUARE:**

**S.4888-L , S.4889-L6 , S.4898-L , S.4899-L6
S.5888-L , S.5889-L6 , S.5898-L , S.5899-L6**

LAST UPDATE : AUGUST 20, 2020

FIXTURE INSTALLATION



⚠ DISCONNECT THE MAIN LINE BEFORE WIRING SECONDARY CONNECTORS.

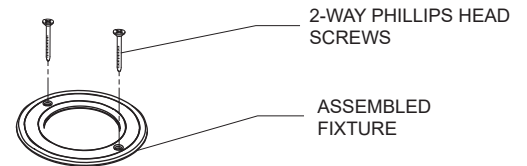
NOTE: RECESSED BOX MUST BE INSTALLED INTO 8 INCHES OF GRAVEL TO ENSURE DRAINAGE.

A - AFTER RECESSED BOX HAS BEEN INSTALLED FLUSH TO THE GROUND (BY OTHERS), MAKE ALL NECESSARY WIRE CONNECTIONS. USE WET LOCATION CONNECTION SYSTEM PROVIDED.

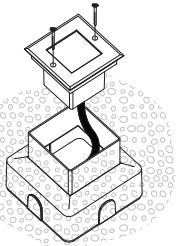
B - UNFASTEN 2-WAY PHILLIPS HEAD SCREWS LOCATED ON THE FRONT RING

C - INSERT ASSEMBLED FIXTURE INTO RECESSED BOX

D - FASTEN 2-WAY PHILLIPS HEAD SCREW TO SECURE THE FIXTURE.



FIXTURE INSTALLATION IS THE SAME FOR MICROZIP SQUARE LED.



ORDERING INFO.

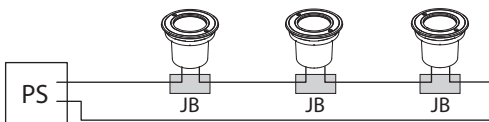
S.48 -L - - 14

MODEL	LED FINISH
S.4888-L - MICROZIP ROUND 110° BEAM	00 - 4300K, NEUTRAL WHITE
S.4889-L6 - MICROZIP ROUND 10° BEAM	01 - 2700K, WARM WHITE
S.4898-L - MICROZIP SQUARE 110° BEAM	
S.4899-L6 - MICROZIP SQUARE 10° BEAM	

S.58 -L - - 19

MODEL	LED FINISH
S.5888-L - MICROZIP ROUND 110° BEAM	00 - 4300K, NEUTRAL WHITE
S.5889-L6 - MICROZIP ROUND 10° BEAM	01 - 2700K, WARM WHITE
S.5898-L - MICROZIP SQUARE 110° BEAM	
S.5899-L6 - MICROZIP SQUARE 10° BEAM	

REMOTE CONNECTION



WARNING



NEVER INSTALL PRODUCTS IN CASE OF FOG RAIN, OR HIGH HUMIDITY.



LIGHT UP THE FIXTURE 30 TO 60 MIN. BEFORE CLOSING.



CLEAN REGULARLY THE FIXTURE TO PREVENT SOIL HEAP ON COVER AND SCREWS.

NOTICE

INSTRUCTIONS MUST BE CARRIED OUT AS INDICATED FOR FIXTURE AND INSTALLATION LIFE DUE TO WATER AND HUMIDE CONDITIONS BURIED PRODUCTS ARE SUBJECT TO.

INSTALLATION SHOULD BE CARRIED OUT BY A SUITABLY QUALIFIED PERSON IN ACCORDANCE WITH GOOD ELECTRICAL PRACTICE AND THE APPROPRIATE NATIONAL WIRING REGULATIONS.



9320 Boul. St-Laurent,
suite 100, Montréal (Québec)
Canada H2N 1N7
P.: 514.523.1339 F.: 514.525.61079320

MICROZIP LED ROUND AND SQUARE