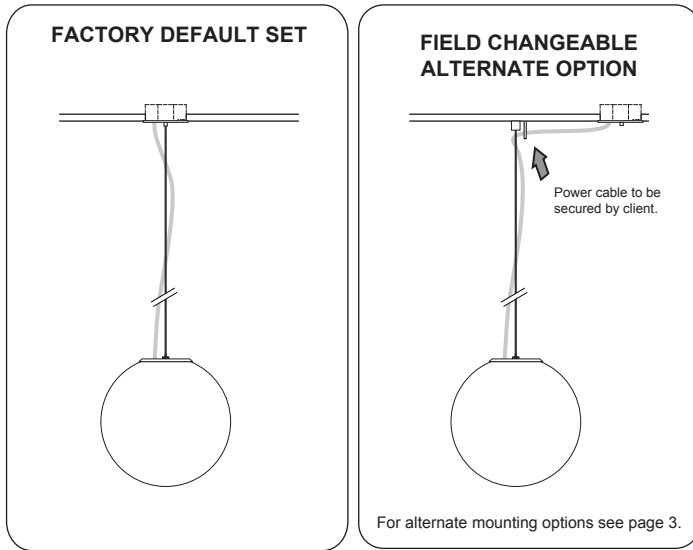
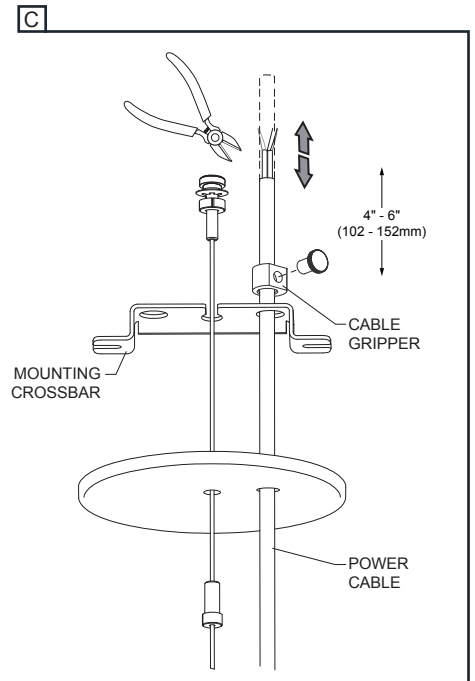
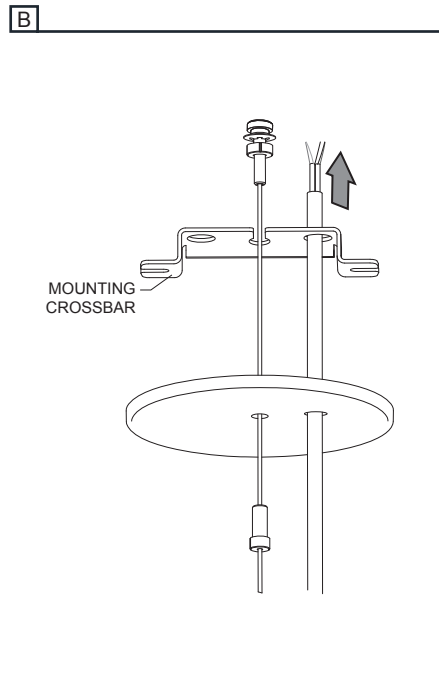
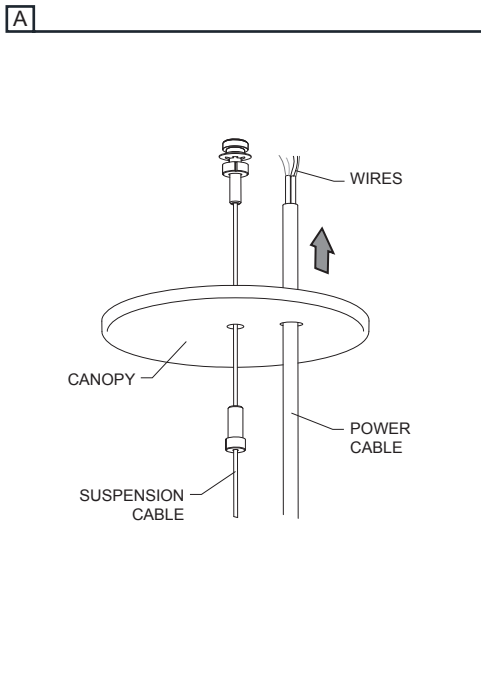


IMPORTANT - READ CAREFULLY BEFORE INSTALLING FIXTURE. RETAIN THESE INSTRUCTIONS FOR FUTURE REFERENCE. THIS PRODUCT MUST BE INSTALLED IN ACCORDANCE WITH THE NATIONAL ELECTRICAL CODE AND ALL APPLICABLE LOCAL CODES, BY A PERSON FAMILIAR WITH THE CONSTRUCTION AND OPERATION OF THE PRODUCT, AND THE HAZARDS INVOLVED. PROPER GROUNDING IS REQUIRED FOR SAFETY.

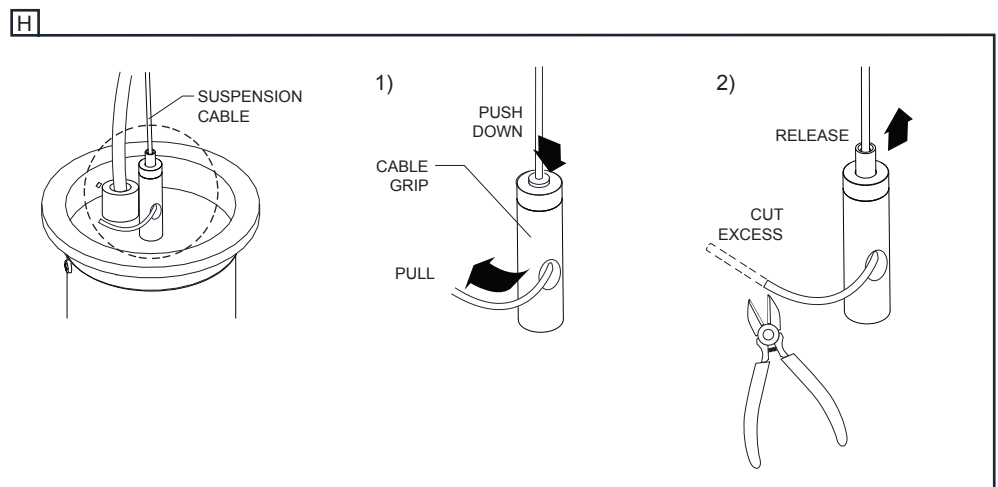
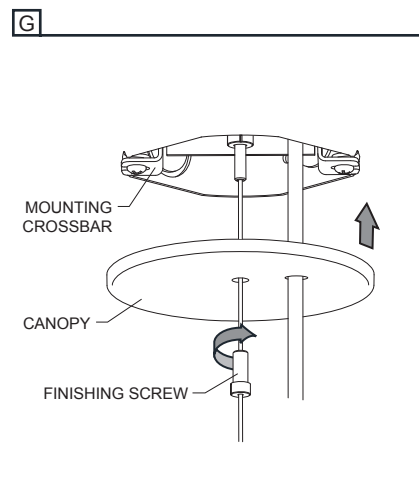
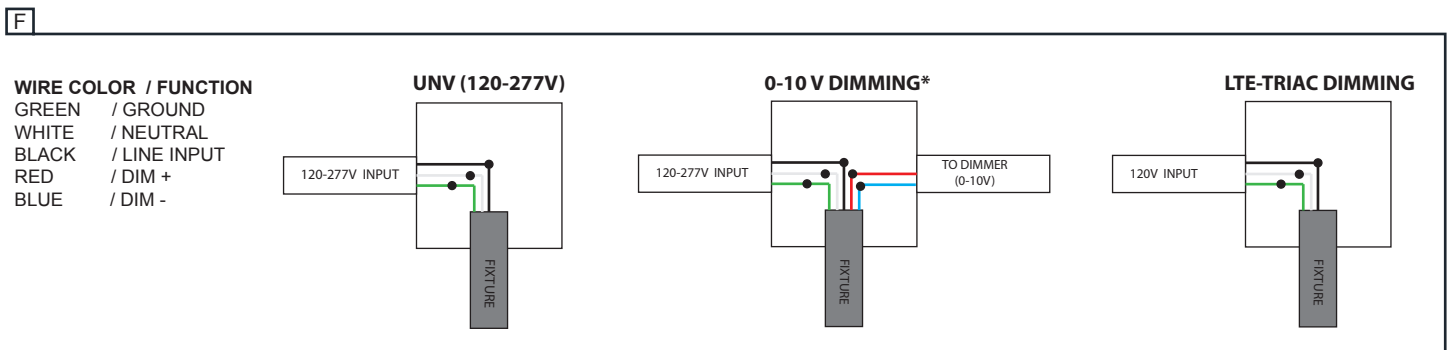
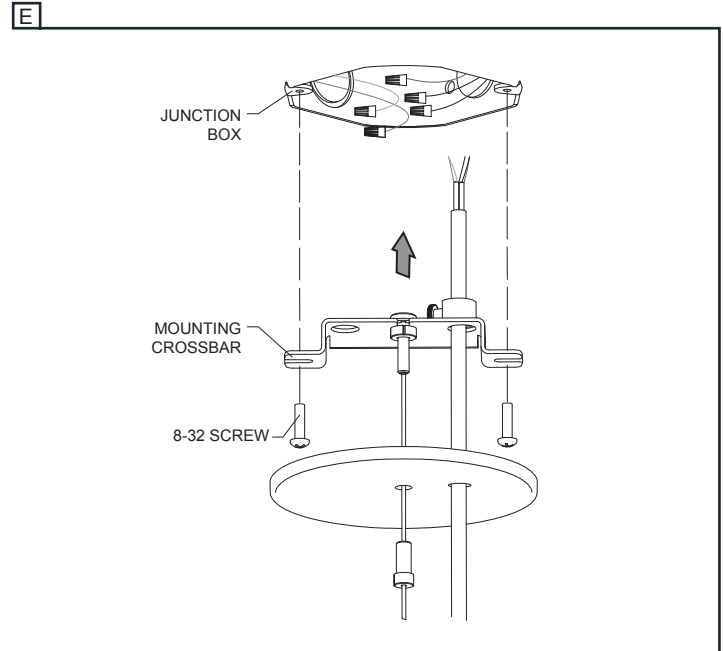
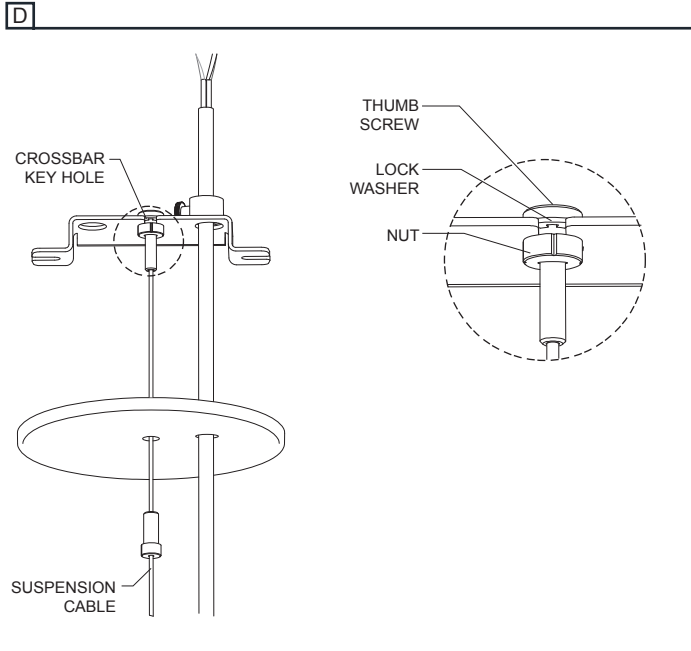


INSTALLATION

- A- INTRODUCE POWER CABLE THROUGH CANOPY.
- B- PASS IT THROUGH THE MOUNTING CROSSBAR HOLE.
- C- ADJUST THE LENGTH OF THE POWER CORD AND TIGHTEN IT USING CABLE GRIPPER TO LOCK POSITION. LEAVE 4 TO 6" ABOVE THE MOUNTING CROSSBAR (FOR CONNECTIONS) AND CUT THE CORD SURPLUS.



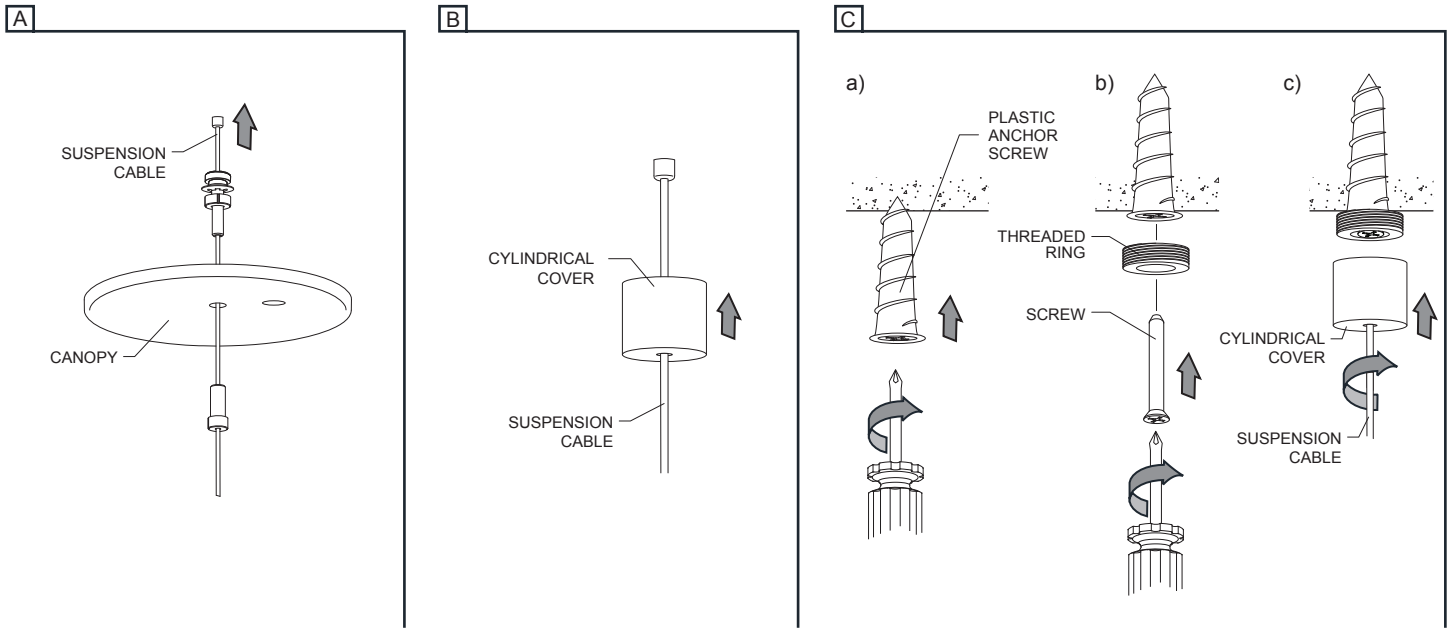
- D- PASS THUMB SCREW INTO THE MOUNTING CROSSBAR KEY HOLE WITH LOCK WASHER ON TOP. HOLD SUSPENSION CABLE DOWN IN POSITION AND SECURE WITH THE PROVIDED NUT.
- E- RAISE THE MOUNTING CROSSBAR AGAINST THE CEILING AND FASTEN IT TO THE JUNCTION BOX USING 8-32 MOUNTING SCREWS.
- F- MAKE ALL NECESSARY WIRE CONNECTIONS. *FOR OPTIONAL DIMMING 0-10V: WIRES MUST BE RUN THROUGH A SEPARATE KNOCK-OUT HOLE WHEN CONNECTING DIMMING CONTROLLER.
- G- PLACE THE CANOPY OVER THE MOUNTING CROSSBAR. SECURE ASSEMBLY IN PLACE USING FINISHING SCREW.
- H- ADJUST THE LENGTH OF THE SUSPENSION CABLE AND CUT THE SURPLUS.



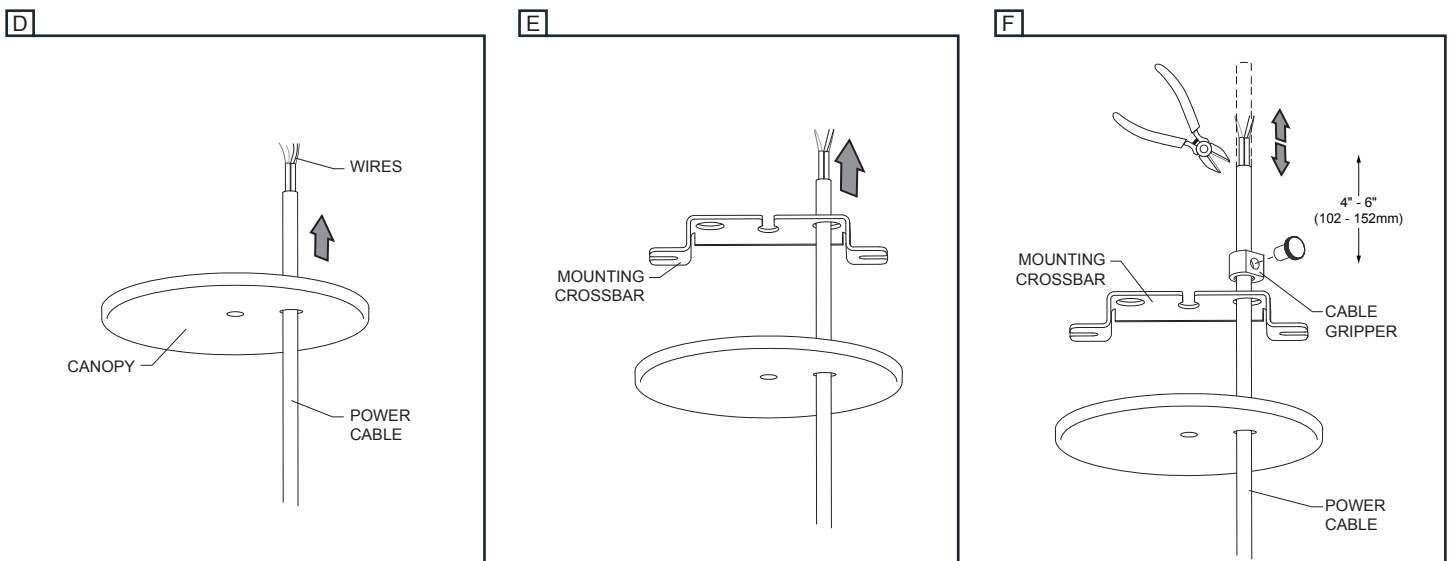
ALTERNATE CANOPY INSTALLATION

IN ORDER TO SEPARATE SUSPENSION CABLE FROM CANOPY FOLLOW THE INSTRUCTIONS:

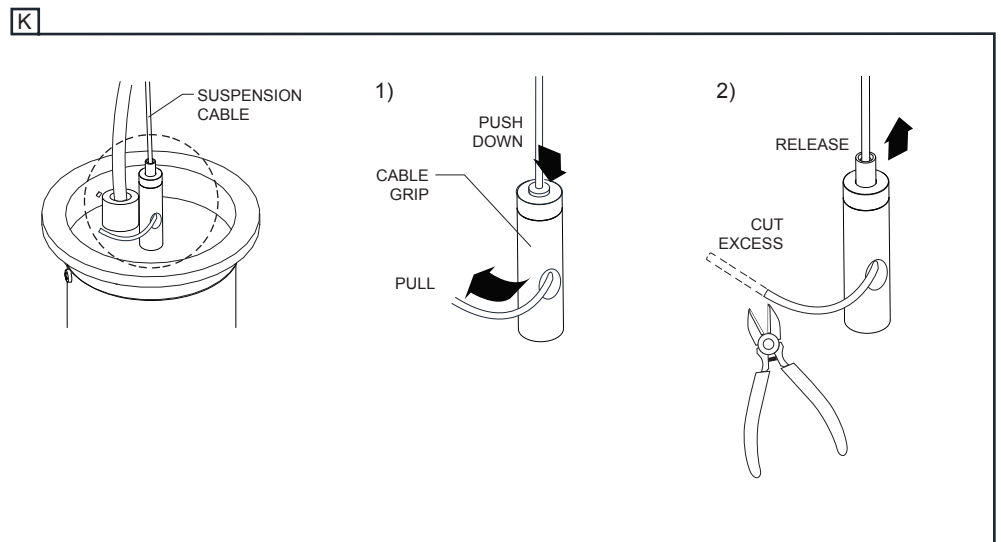
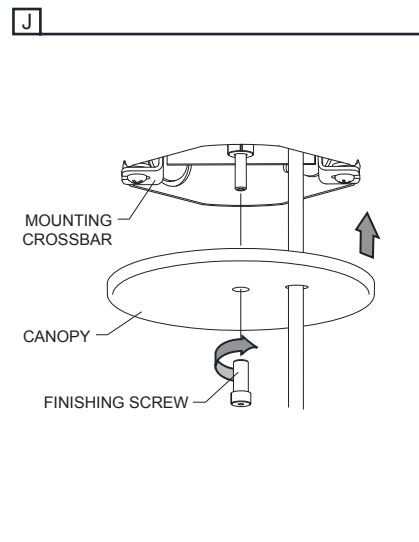
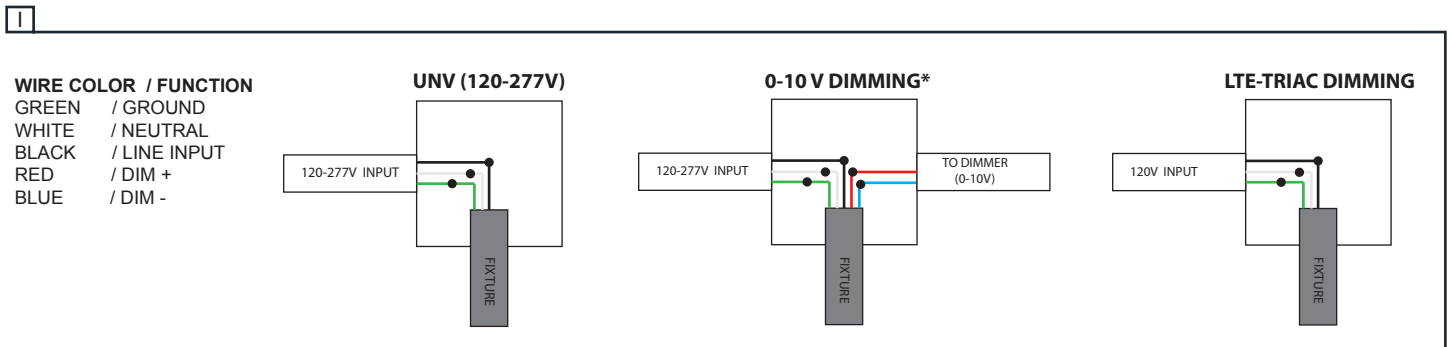
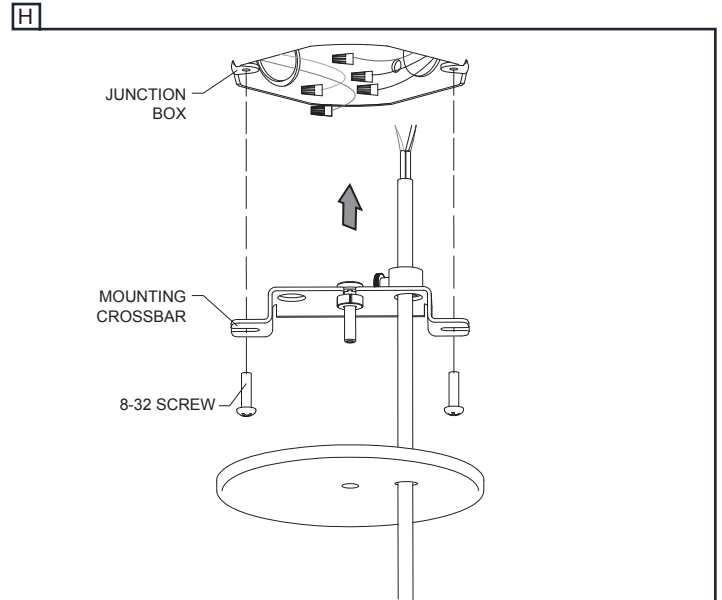
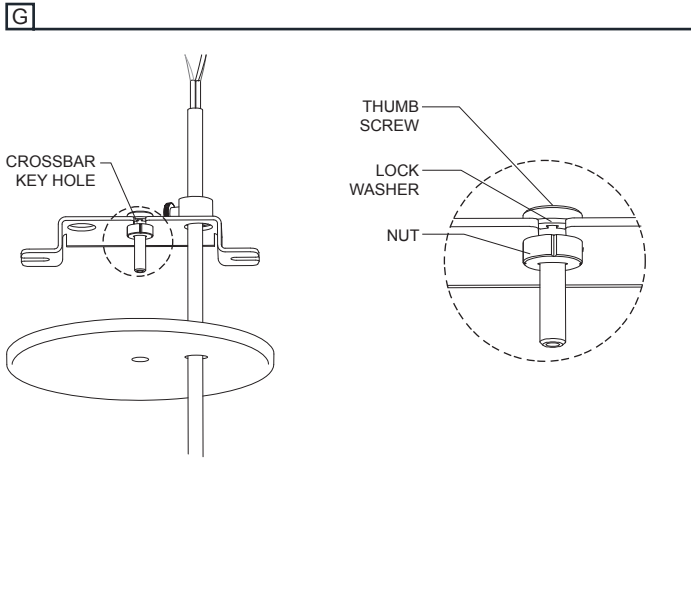
- A- REMOVE SUSPENSION CABLE FROM CANOPY ASSEMBLY.
- B- TAKE THE SUSPENSION CABLE AND PASS IT THROUGH THE CYLINDRICAL COVER SUPPLIED WITH CANOPY KIT.
- C- INSTALL SUSPENSION CABLE FOLLOWING THESE STEPS:
 - a) PLACE AND SCREW SELF-DRILLING (NO HOLE NEEDED) PLASTIC ANCHOR SCREW IN DRYWALL CEILING (MINIMUM 1/2" THICKNESS) OR IN HARDWOOD (NO ANCHOR NEEDED) AT THE PROPER POSITION.
 - b) PASS SCREW THROUGH WASHER AND THREADED RING AND SECURE SCREW INTO PRE INSTALLED PLASTIC ANCHOR SCREW.
 - c) FASTEN CYLINDRICAL COVER TO THREADED RING.



- D- INTRODUCE POWER CABLE THROUGH CANOPY.
- E- PASS IT THROUGH THE MOUNTING CROSSBAR HOLE.
- F- ADJUST THE LENGTH OF THE POWER CORD AND TIGHTEN IT USING CABLE GRIPPER TO LOCK POSITION. LEAVE 4 TO 6" ABOVE THE MOUNTING CROSSBAR (FOR CONNECTIONS) AND CUT THE CORD SURPLUS.



- G- PASS THUMB SCREW INTO THE MOUNTING CROSSBAR KEY HOLE WITH LOCK WASHER ON TOP.
 H- RAISE THE MOUNTING CROSSBAR AGAINST THE CEILING AND FASTEN IT TO THE JUNCTION BOX USING 8-32 MOUNTING SCREWS.
 I- MAKE ALL NECESSARY WIRE CONNECTIONS. *FOR OPTIONAL DIMMING 0-10V: WIRES MUST BE RUN THROUGH A SEPARATE KNOCK-OUT HOLE WHEN CONNECTING DIMMING CONTROLLER.
 J- PLACE THE CANOPY OVER THE MOUNTING CROSSBAR. SECURE ASSEMBLY IN PLACE USING FINISHING SCREW.
 K- ADJUST THE LENGTH OF THE SUSPENSION CABLE AND CUT THE SURPLUS.



ORDERING INFO

MODEL	LED	VOLTAGE	FINISH	OPTIONAL DIMMING
MODEL	LED	VOLTAGE	FINISH	OPTIONAL DIMMING
1930 - Ø8"	827 - 2700K, 80CRI	UNV - 120-277V	01 - WHITE	LTE - Leading (Triac) and trailing edge (ELV) for 120V only
1933 - Ø12"	830 - 3000K, 80CRI	120 - 120V <small>For optional dimming LTE</small>	10 - GRAY	D10 - 0-10V
1934 - Ø16"	835 - 3500K, 80CRI			
1935 - Ø20"	840 - 4000K, 80CRI			