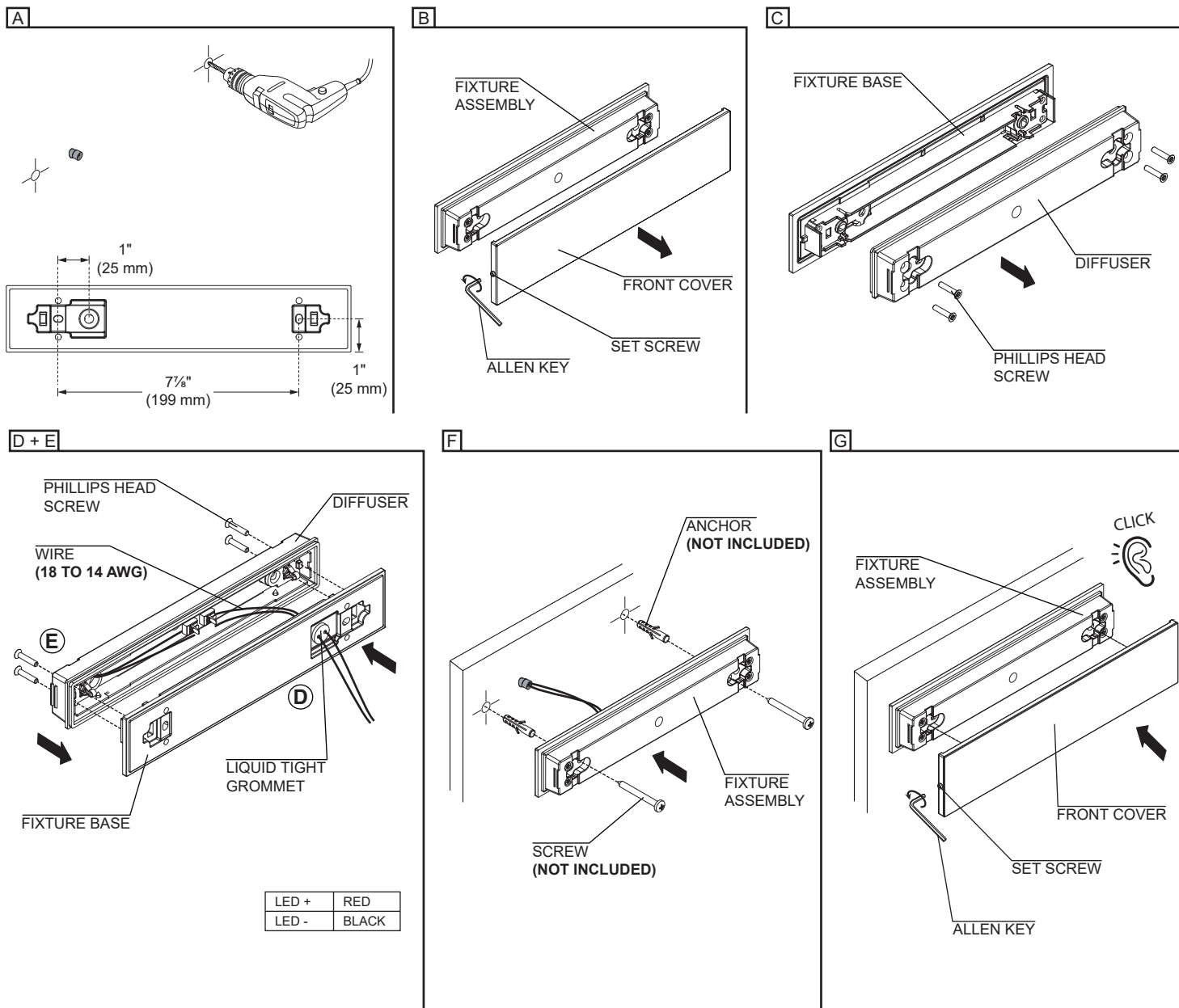


**IMPORTANT** - READ CAREFULLY BEFORE INSTALLING FIXTURE. RETAIN THESE INSTRUCTIONS FOR FUTURE REFERENCE. THIS PRODUCT MUST BE INSTALLED IN ACCORDANCE WITH THE NATIONAL ELECTRICAL CODE AND ALL APPLICABLE LOCAL CODES, BY A PERSON FAMILIAR WITH THE CONSTRUCTION AND OPERATION OF THE PRODUCT, AND THE HAZARDS INVOLVED. PROPER GROUNDING IS REQUIRED FOR SAFETY.

**⚠ DISCONNECT THE MAIN LINE BEFORE WIRING SECONDARY CONNECTORS.**

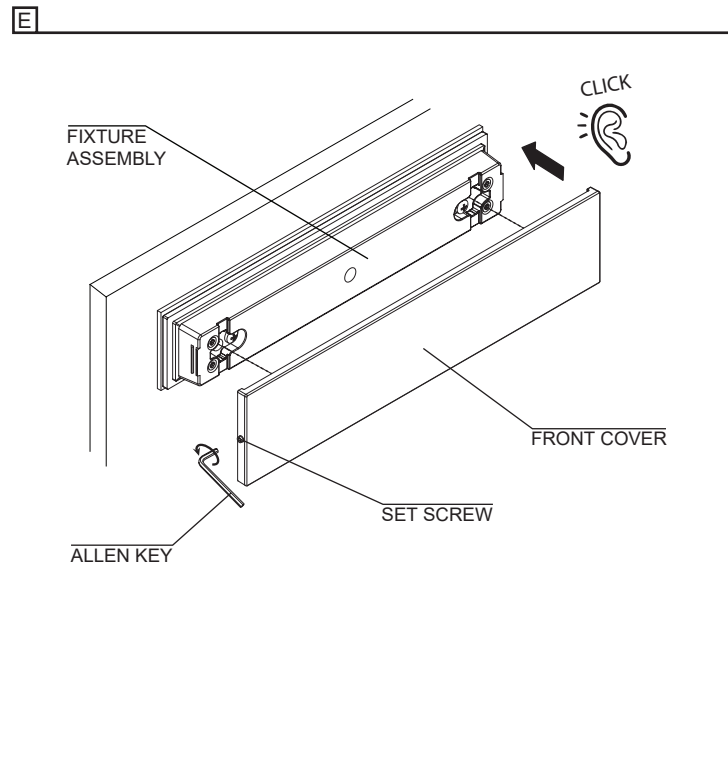
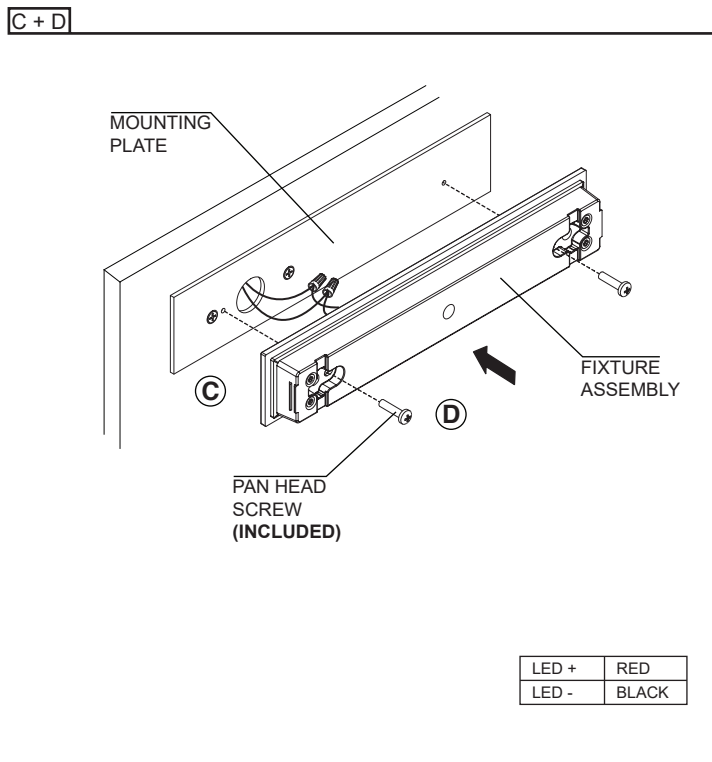
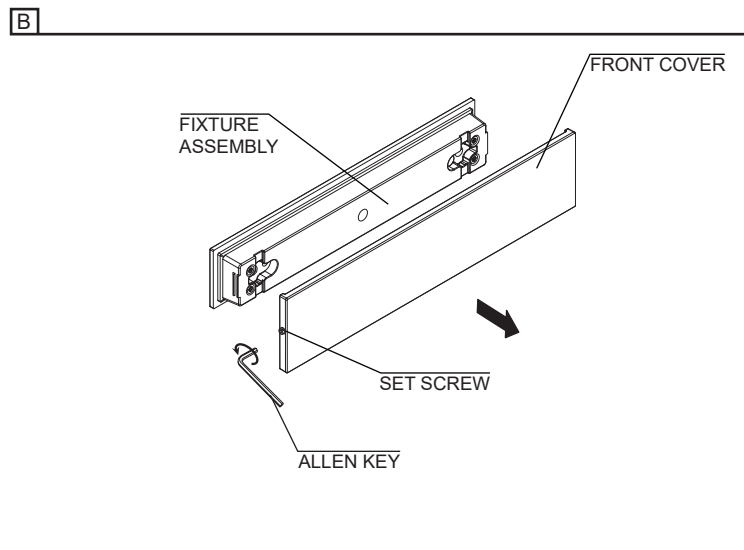
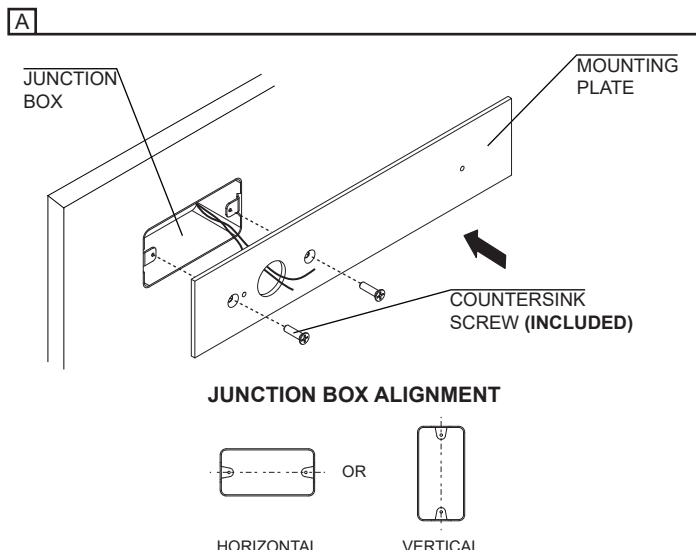
## INSTALLATION WITH DIRECT FEED - REMOTE DRIVER (DF-REM)

- A- PREPARE SURFACE FOR INSTALLATION USING DIMENSIONS BELOW.
- B- UNFASTEN THE (2) SET SCREWS WITH AN ALLEN KEY AND PULL THE FRONT COVER FROM THE FIXTURE ASSEMBLY. DO NOT COMPLETELY REMOVE SCREWS.
- C- UNFASTEN THE (4) PHILLIPS HEAD SCREWS TO REMOVE THE DIFFUSER FROM THE FIXTURE BASE.
- D- FEED WIRE THROUGH THE LIQUID TIGHT GROMMET (**18 TO 14 AWG WIRE**) AND MAKE WIRE CONNECTIONS (**FOLLOWING POLARITY MARKING**).
- E- RE-INSTALL THE DIFFUSER ON THE FIXTURE BASE WITH (4) PHILLIPS HEAD SCREWS.
- F- INSTALL THE FIXTURE ASSEMBLY ON THE WALL USING (2) SCREWS AND APPROPRIATE ANCHORS (**BOTH NOT INCLUDED**).
- G- RE-INSTALL THE FRONT COVER ON THE FIXTURE ASSEMBLY UNTIL IT CLICKS IN PLACE AND FASTEN WITH THE SET SCREWS. TO ADJUST THE LIGHT DISTRIBUTION, SEE INSTRUCTIONS ON PAGE 5.



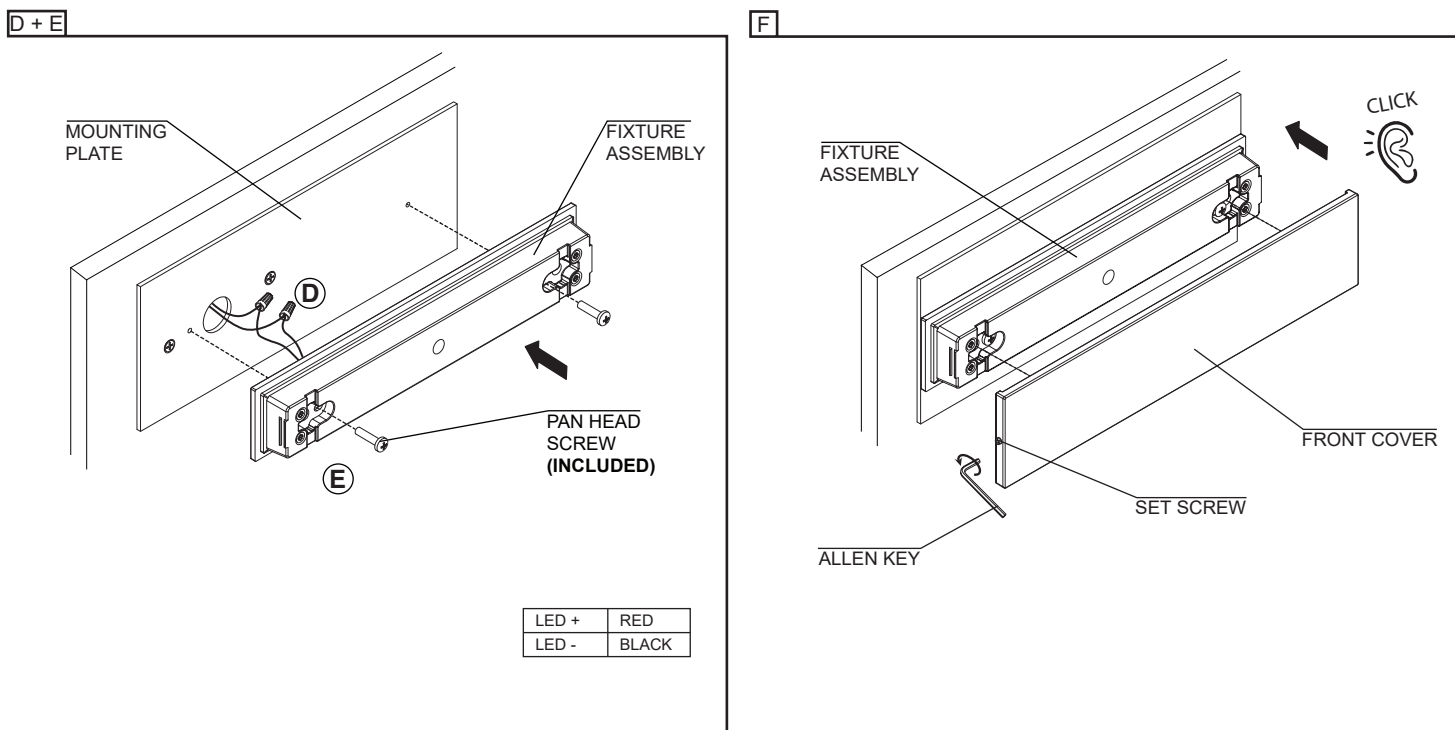
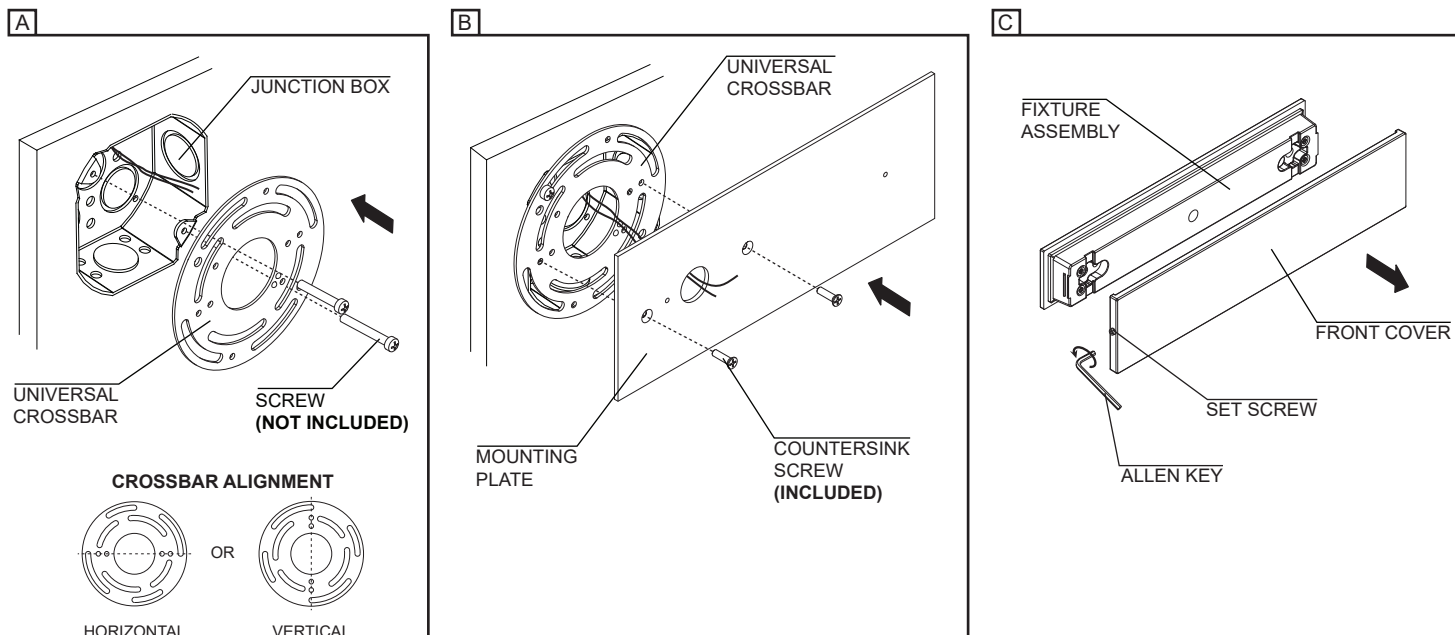
**INSTALLATION WITH 2" JUNCTION BOX - REMOTE DRIVER (J2-REM)**

- A- INSTALL THE MOUNTING PLATE ON THE JUNCTION BOX USING (2) COUNTERSINK SCREWS (**INCLUDED**). FOLLOW ALIGNMENT DETAIL BELOW TO GET THE PROPER ORIENTATION.
- B- UNFASTEN THE SET SCREWS WITH AN ALLEN KEY AND PULL THE FRONT COVER FROM THE FIXTURE ASSEMBLY. DO NOT COMPLETELY REMOVE SCREWS.
- C- MAKE WIRE CONNECTIONS (**FOLLOWING POLARITY MARKING**).
- D- FASTEN FIXTURE ASSEMBLY TO THE MOUNTING PLATE USING (2) PAN HEAD SCREWS (**INCLUDED**).
- E- RE-INSTALL THE FRONT COVER ON THE FIXTURE ASSEMBLY UNTIL IT CLICKS IN PLACE AND FASTEN WITH THE SET SCREWS. TO ADJUST THE LIGHT DISTRIBUTION, SEE INSTRUCTIONS ON PAGE 5.



**INSTALLATION WITH 4" JUNCTION BOX - REMOTE DRIVER (JB-REM)**

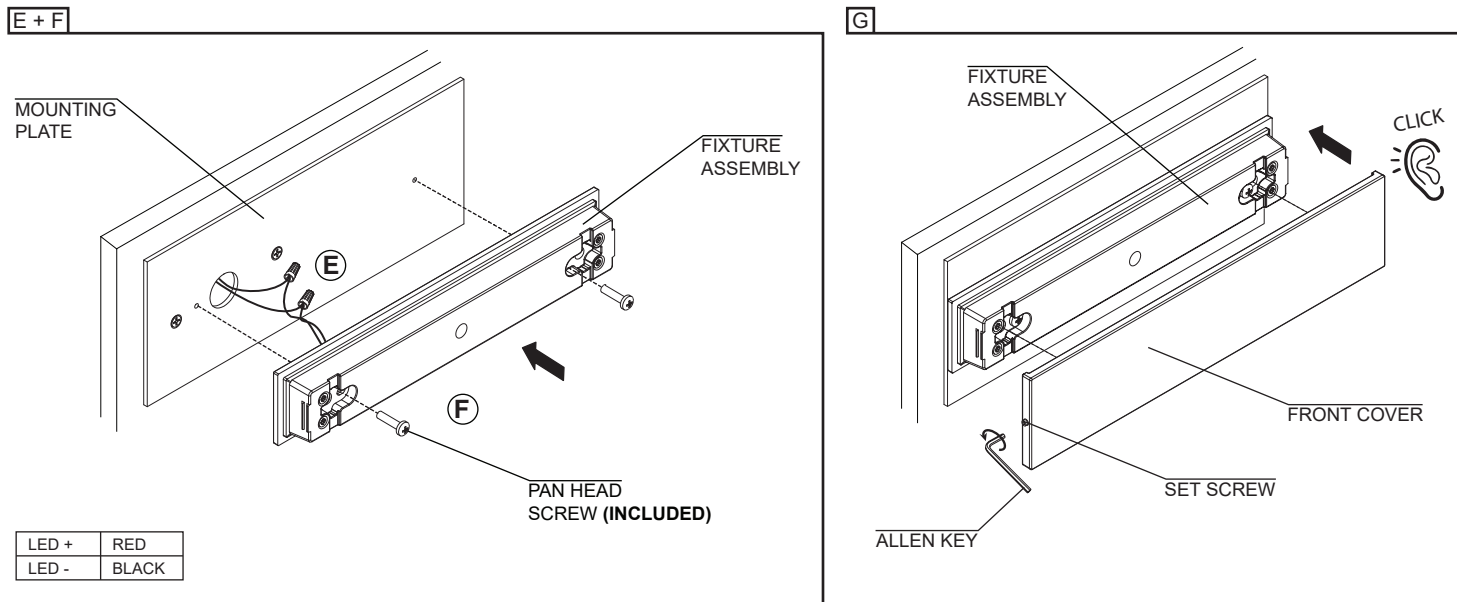
- A- FIX THE UNIVERSAL CROSSBAR TO THE JUNCTION BOX USING (2) SCREWS (**NOT INCLUDED**). FOLLOW ALIGNMENT DETAIL BELOW TO GET THE PROPER ORIENTATION.
- B- INSTALL THE MOUNTING PLATE ON THE UNIVERSAL CROSSBAR USING (2) COUNTERSINK SCREWS (**INCLUDED**).
- C- UNFASTEN THE (2) SET SCREWS WITH AN ALLEN KEY AND PULL THE FRONT COVER FROM THE FIXTURE ASSEMBLY. DO NOT COMPLETELY REMOVE SCREWS.
- D- MAKE WIRE CONNECTIONS (**FOLLOWING POLARITY MARKING**).
- E- FASTEN FIXTURE ASSEMBLY TO THE MOUNTING PLATE USING (2) PAN HEAD SCREWS (**INCLUDED**).
- F- RE-INSTALL THE FRONT COVER ON THE FIXTURE ASSEMBLY UNTIL IT CLICKS IN PLACE AND FASTEN WITH THE SET SCREWS. TO ADJUST THE LIGHT DISTRIBUTION, SEE INSTRUCTIONS ON PAGE 5.





**INSTALLATION WITH 4" JUNCTION BOX - 120-277V (JB-UNV)**

- A- TO MAKE THE CONNECTIONS, PULL THE LEVERS UP THEN INSERT WIRES IN THE CONNECTORS (FOLLOWING POLARITY MARKING) AND PUSH THE LEVERS DOWN.
- B- FASTEN FIXTURE ASSEMBLY TO THE MOUNTING PLATE USING (2) PAN HEAD SCREWS (INCLUDED).
- C- RE-INSTALL THE FRONT COVER ON THE FIXTURE ASSEMBLY UNTIL IT CLICKS IN PLACE AND FASTEN WITH THE SET SCREWS.  
TO ADJUST THE LIGHT DISTRIBUTION, SEE INSTRUCTIONS BELOW.



**LIGHT DISTRIBUTION ADJUSTMENT**

- A- SELECT THE RIGHT HOLES ACCORDING TO THE DESIRED LIGHT DISTRIBUTION, AS SHOWN BELOW.  
USE A WRENCH TO REMOVE AND FASTEN THE (2) BALLSTUDS IN THE FRONT COVER.

