

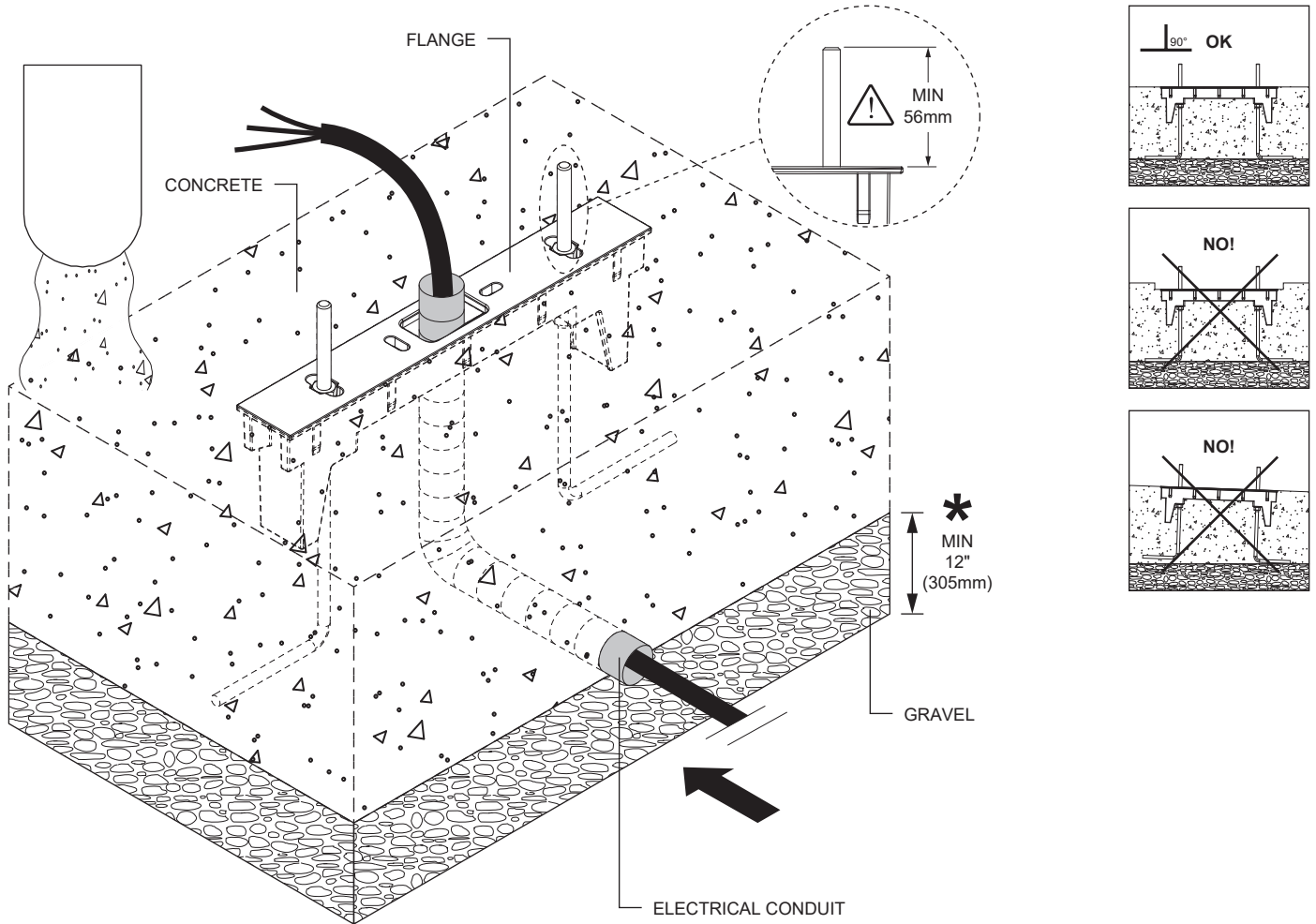
**IMPORTANT** - READ CAREFULLY BEFORE INSTALLING FIXTURE. RETAIN THESE INSTRUCTIONS FOR FUTURE REFERENCE.  
THIS PRODUCT MUST BE INSTALLED IN ACCORDANCE WITH THE NATIONAL ELECTRICAL CODE AND ALL APPLICABLE LOCAL CODES, BY A PERSON FAMILIAR WITH THE CONSTRUCTION AND OPERATION OF THE PRODUCT, AND THE HAZARDS INVOLVED. PROPER GROUNDING IS REQUIRED FOR SAFETY.

**GROUND INSTALLATION IN CONCRETE WITH FLANGE.  
INTEGRAL DRIVER 120-277V (UNV)**

A- DIG A HOLE (SEE DIMENSION BELOW), PUT THE FLANGE AND ELECTRICAL CONDUIT INTO THE GROUND. POUR CONCRETE AND MAKE SURE IT IS LEVELED WITH THE FLANGE.

**\*MINIMUM OF 12" OF GRAVEL IS REQUIRED BELOW THE LUMINAIRE TO ALLOW PROPER DRAINAGE).**

**A**



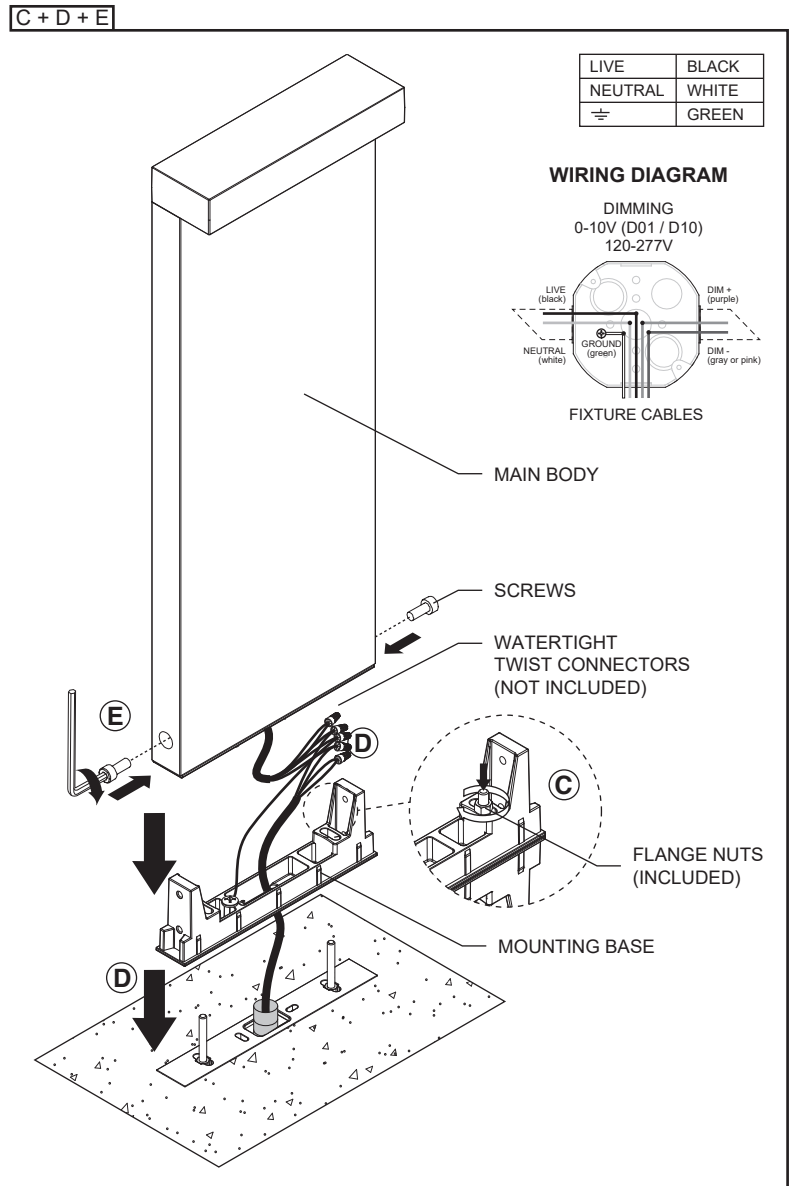
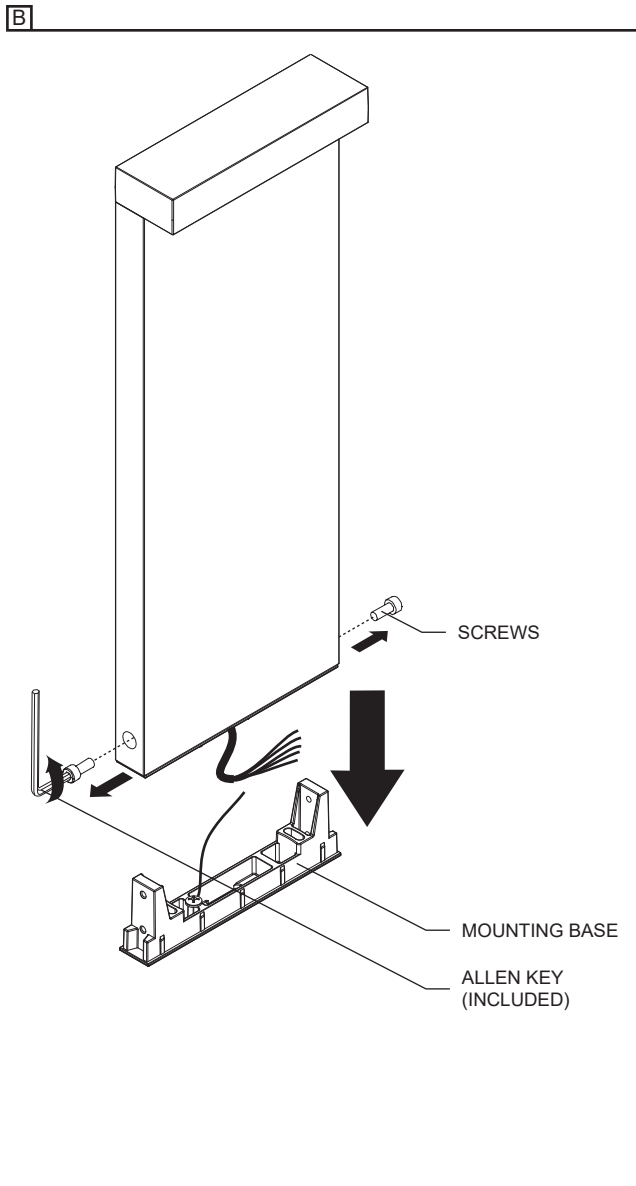
Model	Model Code	Flange code	Flange dimensions
MINI LOOK	S7206, S7211, S7215, S7220, SL9206, SL9211	<b>S7249</b>	8½" x 1¼" x 9¼" (217 x 33 x 235mm)
MINI COOL	S7236, S7241, SL9236, SL9241		
LOOK	S7260, S7261, S7262, S7265, S7266, S7267	<b>S7269</b>	8½" x 1¼" x 9¼" (290 x 43 x 231mm)
COOL	S7245, S7246		
MICRO COOL SQUARE	S7287	<b>S7284</b>	3¾" x 1¾" x 6⅝" (96 x 45 x 167mm)
MINI COOL SQUARE	S7286	<b>S7288</b>	5⅝" x 3⅝" x 9⅞" (149 x 66 x 251mm)
COOL SQUARE	S7285	<b>S7289</b>	8½" x 3⅝" x 9⅞" (217 x 85 x 250mm)

B- UNFASTEN THE SCREWS WITH ALLEN KEY (**INCLUDED**) AND PULL MOUNTING BASE OFF THE MAIN BODY.

C- FASTEN THE MOUNTING BASE TO THE FLANGE USING (2) FLANGE NUTS (**INCLUDED**).

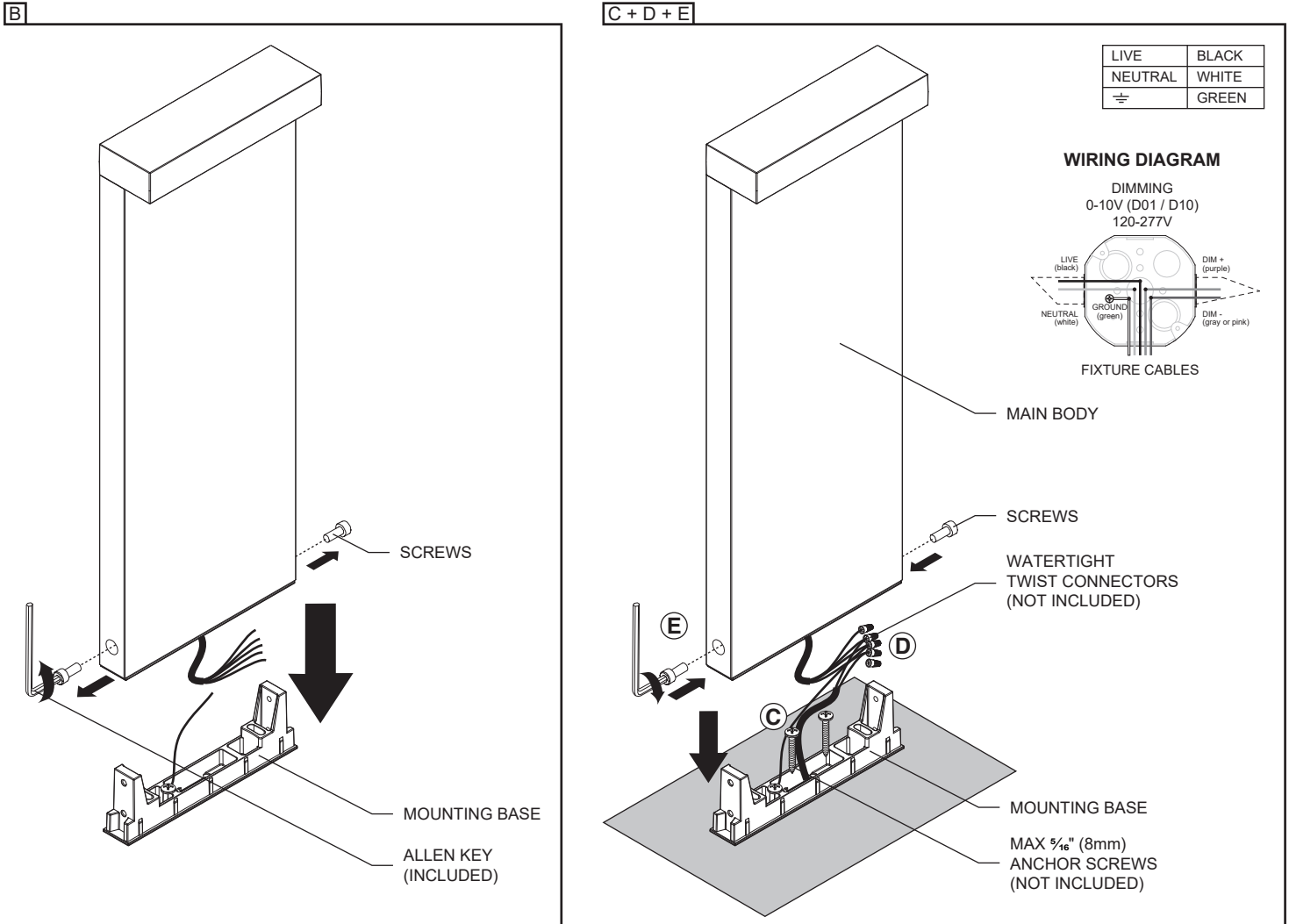
D- MAKE WIRE CONNECTIONS (**FOLLOWING POLARITY MARKING**) USING WATERTIGHT TWIST CONNECTORS (**NOT INCLUDED**). COVER DIMMING WIRE IF NOT USING.

E- PLACE MAIN BODY ONTO THE MOUNTING BASE AND FASTEN THE SCREWS WITH AN ALLEN KEY (**INCLUDED**).

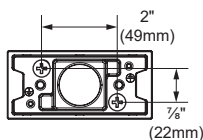


**GROUND INSTALLATION ON ALTERNATIVE SURFACE WITHOUT FLANGE.  
INTEGRAL DRIVER 120-277V (UNV)**

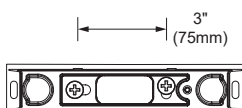
- B- UNFASTEN THE SCREWS WITH ALLEN KEY (INCLUDED) AND PULL MOUNTING BASE OFF THE MAIN BODY.
- C- FASTEN THE MOUNTING BASE TO THE SURFACE USING (2) APPROPRIATE WOOD OR CONCRETE ANCHOR SCREWS (NOT INCLUDED).
- D- MAKE WIRE CONNECTIONS (FOLLOWING POLARITY MARKING) USING WATERTIGHT TWIST CONNECTORS (NOT INCLUDED). COVER DIMMING WIRE IF NOT USING.
- E- PLACE MAIN BODY ONTO THE MOUNTING BASE AND FASTEN THE SCREWS WITH AN ALLEN KEY (INCLUDED).



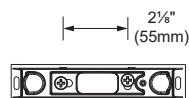
**MICROCOOL SQUARE**



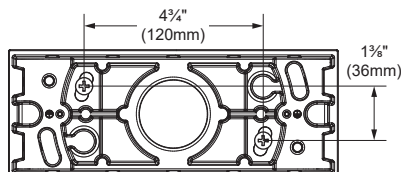
**LOOK / COOL**



**MINI LOOK / MINI COOL**



**COOL SQUARE**



**MINICOOL SQUARE**

