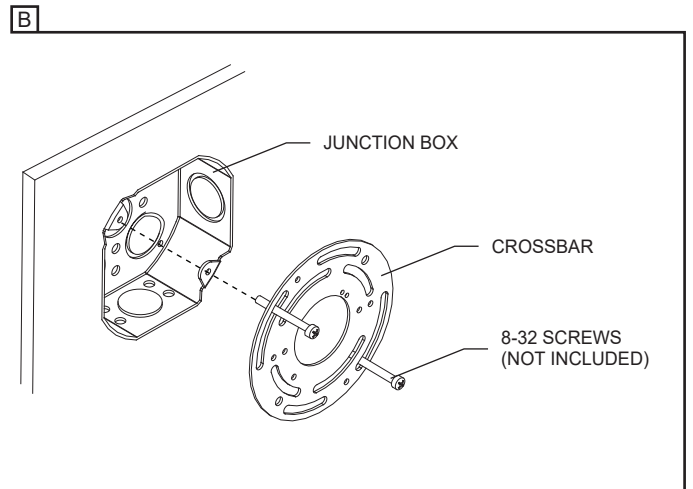
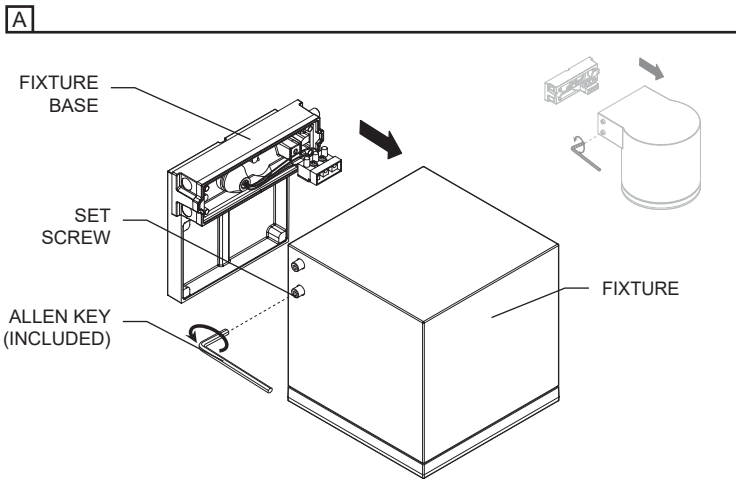


IMPORTANT - READ CAREFULLY BEFORE INSTALLING FIXTURE. RETAIN THESE INSTRUCTIONS FOR FUTURE REFERENCE.
 THIS PRODUCT MUST BE INSTALLED IN ACCORDANCE WITH THE NATIONAL ELECTRICAL CODE AND ALL APPLICABLE LOCAL CODES, BY A PERSON FAMILIAR WITH THE CONSTRUCTION AND OPERATION OF THE PRODUCT, AND THE HAZARDS INVOLVED. PROPER GROUNDING IS REQUIRED FOR SAFETY.

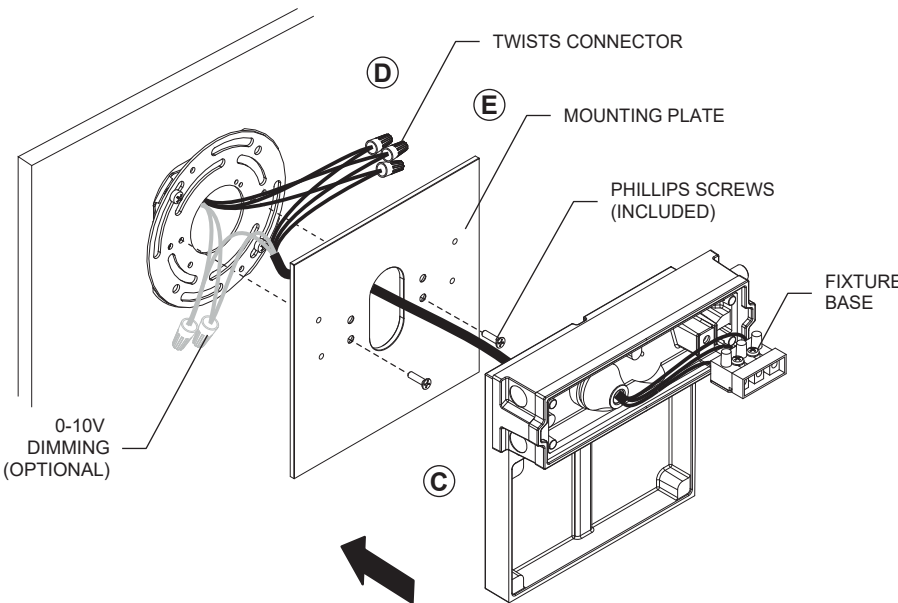
INSTALLATION ON 4" JUNCTION BOX INTEGRAL DRIVER (120-277V) / 120V ONLY FOR MINILOFT

FOR USE WITH STANDARD 4" JUNCTION BOX (120-277V)

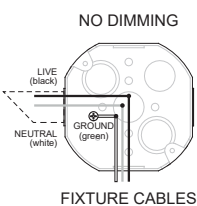
- A- UNFASTEN THE FIXTURE (4) SET SCREWS USING THE ALLEN KEY (INCLUDED). DO NOT COMPLETELY REMOVE THE SCREWS.
- B- INSTALL CROSSBAR ON THE JUNCTION BOX (NOT INCLUDED) WITH (2) 8-32 SCREWS (NOT INCLUDED). IMPORTANT TO SELECT PROPER POSITION.
- C- PASS THE CABLE THROUGH THE CENTER HOLES OF THE MOUNTING PLATE AND CROSSBAR.
- D- MAKE ALL THE NECESSARY CONNECTIONS (SEE WIRING DIAGRAM) USING TWIST CONNECTORS (NOT INCLUDED).
- E- INSTALL THE MOUNTING PLATE ON THE CROSSBAR WITH THE (2) PHILLIPS SCREWS (INCLUDED).



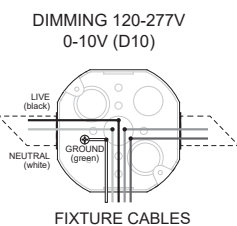
C + D + E



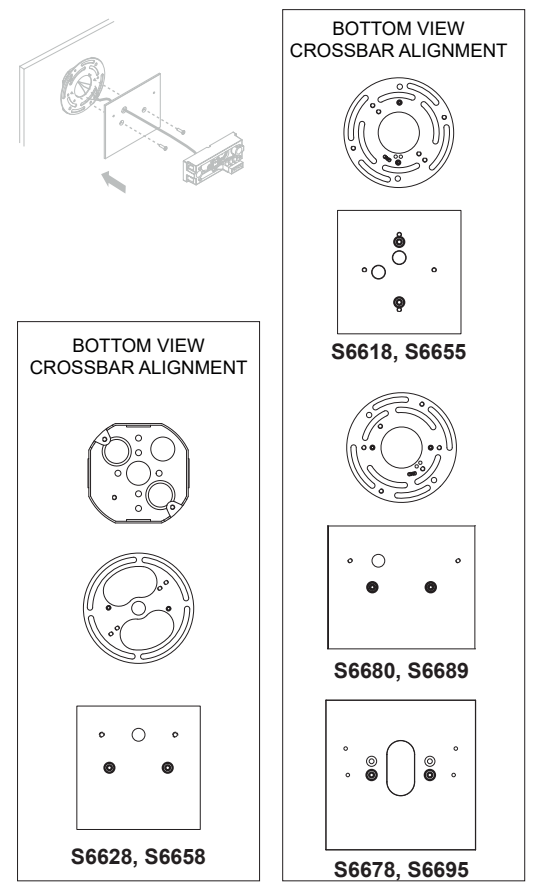
WIRING DIAGRAM



WIRING DIAGRAM



! If the wires for 0-10V dimming are not used, protect wire ends with twist connectors.



- F- INSTALL THE BASE FIXTURE ON THE MOUNTING PLATE, USING (2) PHILLIPS SCREWS (INCLUDED) AND THE WATERTIGHT WASHERS (INCLUDED) (SEE BELOW). * IMPORTANT FOR A WATERTIGHT INSTALLATION WASHERS ARE REQUIRED.
- G- CONNECT THE QUICK CONNECTOR (INCLUDED), AND FASTEN THE FIXTURE ON BASE WITH THE (2) SET SCREWS USING THE ALLEN KEY (INCLUDED).

F + G

