

IMPORTANT - READ CAREFULLY BEFORE INSTALLING FIXTURE. RETAIN THESE INSTRUCTIONS FOR FUTURE REFERENCE.

THIS PRODUCT MUST BE INSTALLED IN ACCORDANCE WITH THE NATIONAL ELECTRICAL CODE AND ALL APPLICABLE LOCAL CODES, BY A PERSON FAMILIAR WITH THE CONSTRUCTION AND OPERATION OF THE PRODUCT, AND THE HAZARDS INVOLVED. PROPER GROUNDING IS REQUIRED FOR SAFETY.

⚠ DISCONNECT THE MAIN LINE BEFORE WIRING SECONDARY CONNECTORS.

SURFACE PREPARATION & BACK BOX INSTALLATION

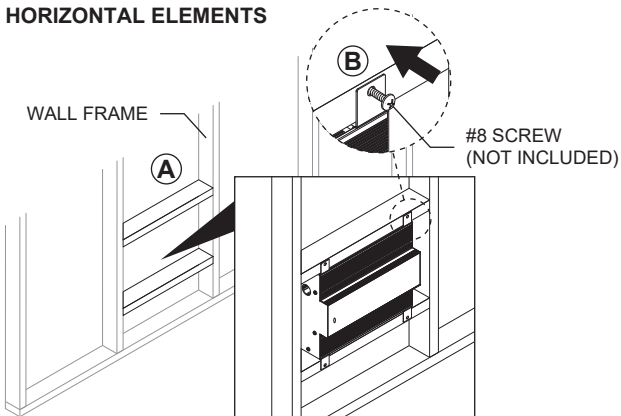
A- PREPARE THE INSTALLATION SURFACE FOR THE BACK BOX INSTALLATION (SEE TABLE BELOW).

***FOR VERTICAL ELEMENTS INSTALLATION:** THE SUPPORTS MUST BE STRENGTHEN WHEN PREPARING FOR THE 32" AND 62" MODELS.

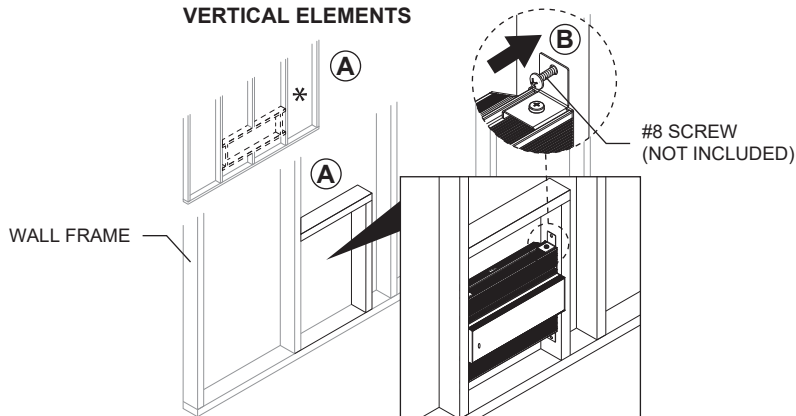
B- INSTALL THE BACK BOX TO THE STRUCTURE USING (4) #8 SCREWS (NOT INCLUDED).

THE BACK BOX MUST BE POSITIONED SO THE FIXTURE OPENING AND THE WALL PANEL ARE FLUSH.

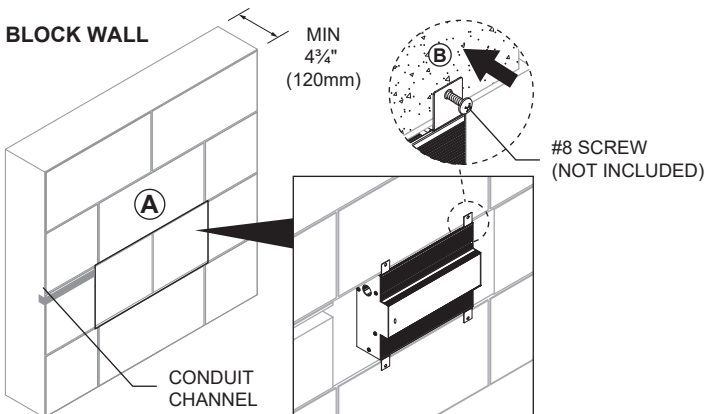
HORIZONTAL ELEMENTS



VERTICAL ELEMENTS



BLOCK WALL



INSTALLATION	MODELS	LENGTH	HEIGHT	DEPTH
VERTICAL ELEMENTS	10"(240mm)	10"(240mm)	10½" (267mm)	4¼" (120mm)
	17"(430mm)	17½"(445mm)		
	32"(810mm)*	32½"(819mm)		
	62"(1570mm)*	62½"(1584mm)		
HORIZONTAL ELEMENTS	10"(240mm)	10½"(267mm)	7½" (190.5mm)	2 7/16" (62mm)
	17"(430mm)	17½"(445mm)		
BLOCK WALL	10"(240mm)	9¾"(248mm)	8" (203mm)	3 ¼" (83mm)
	17"(430mm)	17¼"(439mm)		
	32"(810mm)	32¼"(820mm)		
	62"(1570mm)	62¼"(1578mm)		

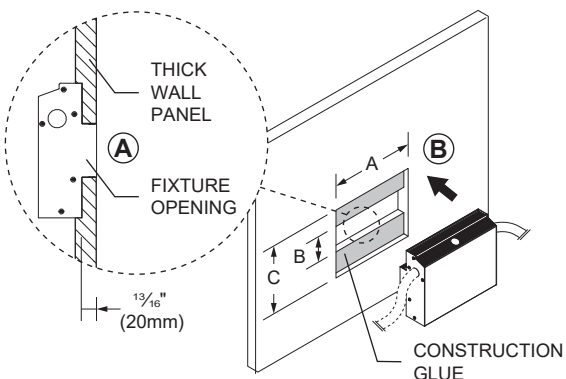
ALTERNATIVE BACK BOX INSTALLATION - HOUSING FIXED ON PANEL

A- IF NECESSARY, CARVE THE INTO THE WALL PANEL AND MAKE A CUT-OUT (SEE DIMENSIONS BELOW)

B- USING CONSTRUCTION GLUE (NOT INCLUDED), FIX THE BACK BOX TO THE PANEL.

C- INSTALL WALL PANEL ON THE WALL FRAME.

* FOR DRYWALL PANEL, SELF-DRILLING SCREWS (NOT INCLUDED) CAN BE USED TO SECURE THE WALL PANEL TO THE BACK BOX.



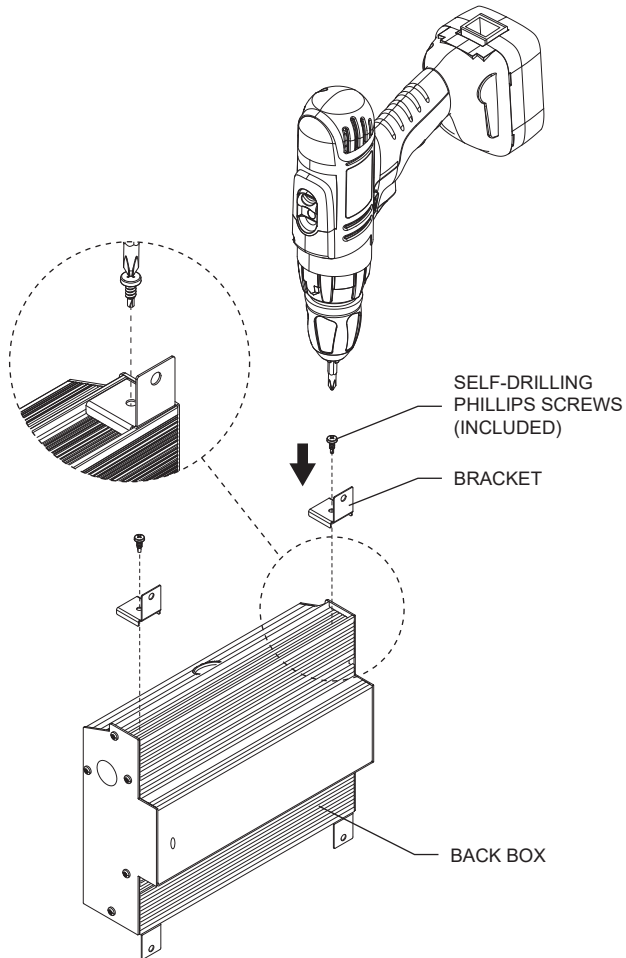
THICK WALL PANEL CUT-OUT

MODEL	A	B	C
10"(240mm)	9 9/16"(243mm)	2 15/16" (75mm)	7½" (190mm)
17"(430mm)	17½"(433mm)		
32"(810mm)	32½"(813mm)		
62"(1570mm)	62½"(1573mm)		

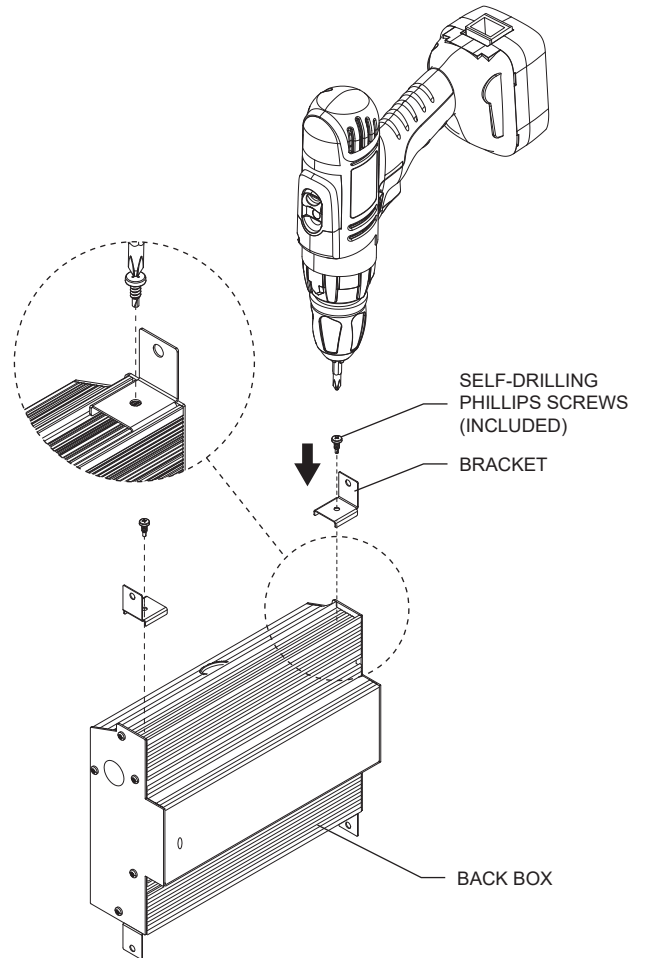
BACK BOX PREPARATION

A- INSTALL THE BRACKETS ON THE BACK BOX USING THE (4) SELF-DRILLING PHILLIPS SCREWS (INCLUDED).

HORIZONTAL ELEMENTS or BLOCK WALL



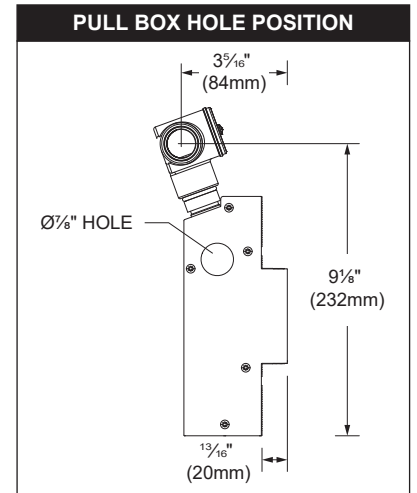
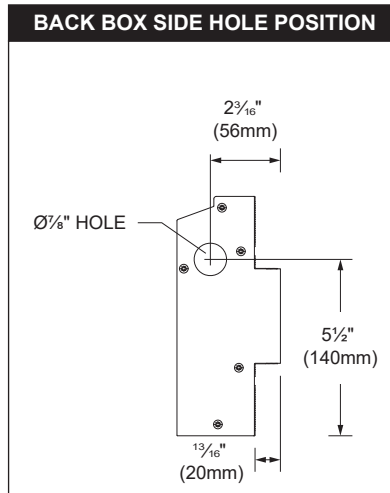
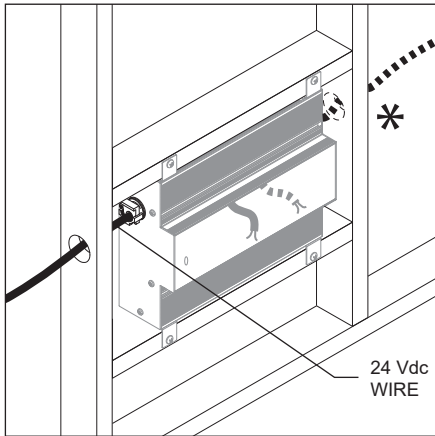
VERTICAL ELEMENTS



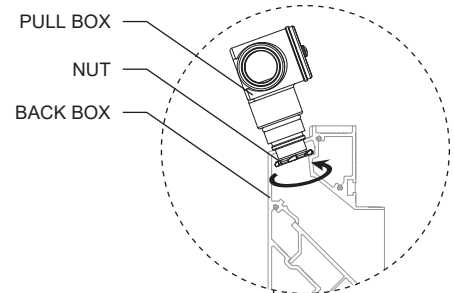
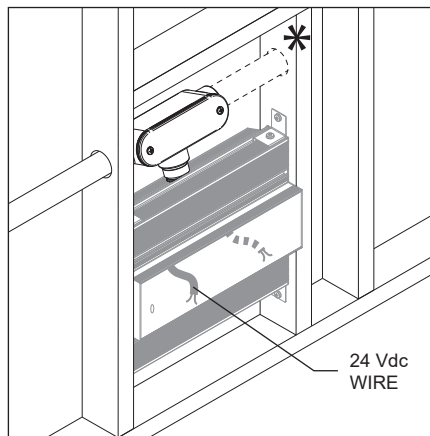
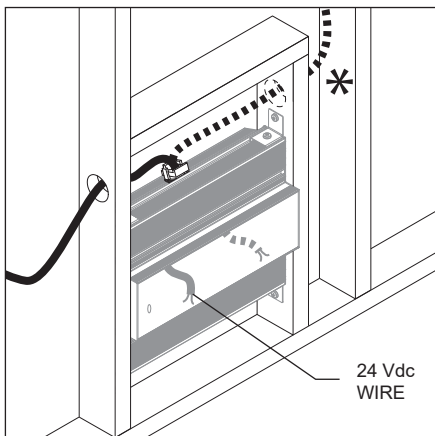
WIRING (SINGLE UNIT OR DAISY CHAIN)

INDOOR: USE ROMEX OR OTHER LOW VOLTAGE CABLE WITH SUPPLIED STRAIN RELIEF OR USE BX CABLE (USE Y CONNECTOR FOR DAISY CHAIN).
OUTDOOR: USE FLEXIBLE CONDUIT OR RIGID CONDUIT (WITH PULL BOX INSTALLATION)
PULL BOX INSTALLATION: INSERT THE PULL BOX TO THE TOP OF THE BACK BOX AND SCREW THE NUT INSIDE THE BACK BOX.
*** DAISY CHAIN:** MAKE A SECONDARY POINT OF ENTRY ON THE OTHER SIDE OF THE BACK BOX.

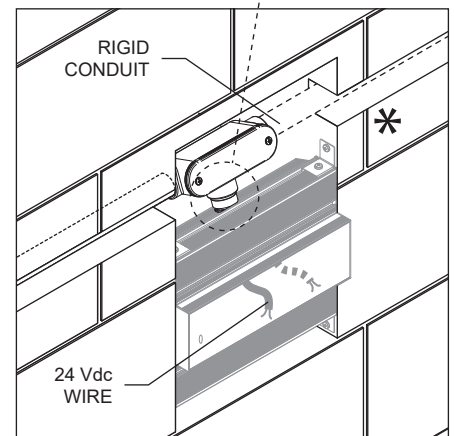
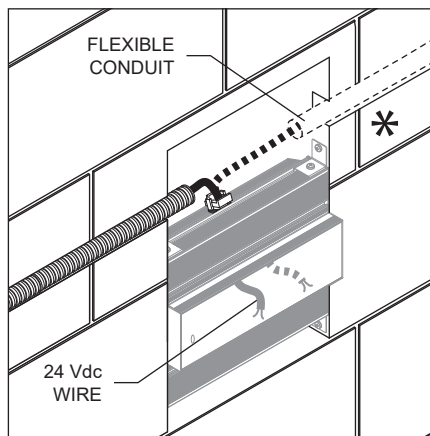
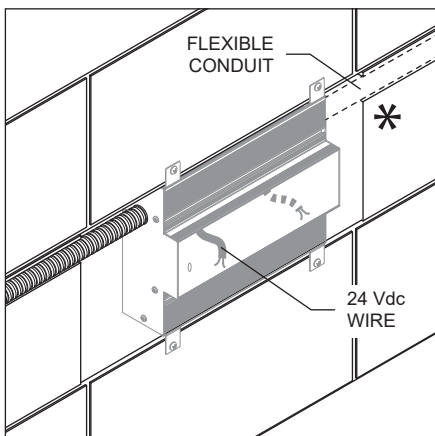
HORIZONTAL ELEMENTS



VERTICAL ELEMENTS



BLOCK WALL



No connections to be made inside the pull box.

WALL PANEL INSTALLATION ($1\frac{3}{16}$ " (20mm) THICK)

A- MAKE A CUT-OUT INTO THE WALL PANEL (SEE DIMENSIONS BELOW)

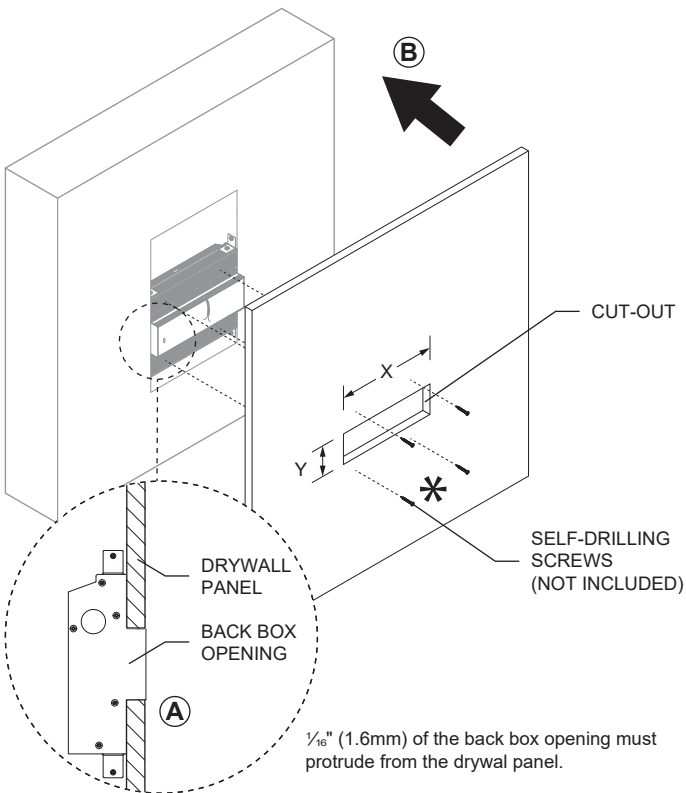
B- INSTALL THE WALL PANEL ON THE WALL FRAME.

* FOR DRYWALL PANEL, SELF-DRILLING SCREWS (NOT INCLUDED) CAN BE USED TO SECURE THE WALL PANEL TO THE BACK BOX.

C- FOR DRYWALL, FINISH THE ASSEMBLY BY PLASTERING, SANDING AND PAINTING. REMOVE THE FRONT PANEL FROM THE BACK BOX. FOR PREMADE WALL SURFACES, SIMPLY REMOVE THE FRONT PANEL FROM THE BACK BOX.

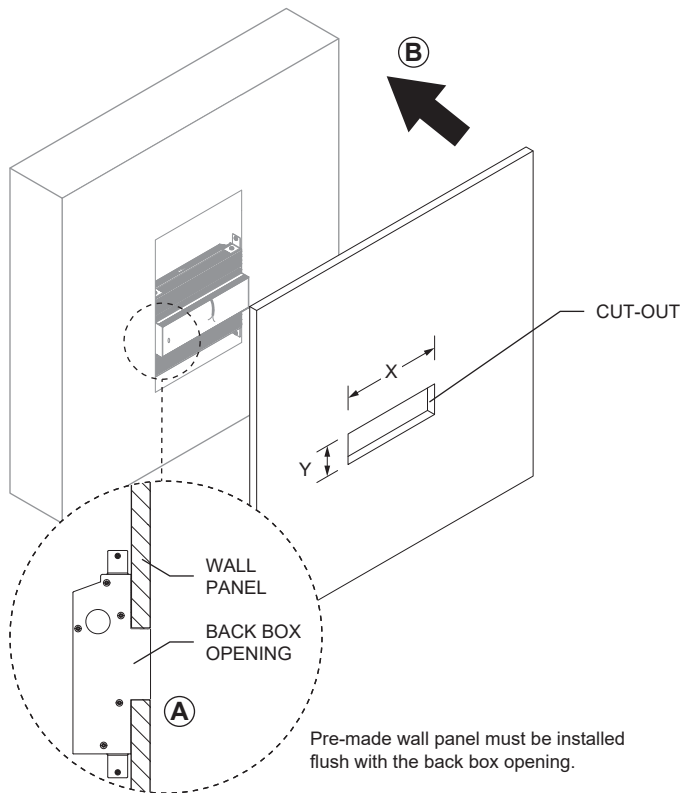
DRYWALL PANEL

PANEL WALL CUT-OUT		
MODEL	X	Y
10"(240mm)	9 $\frac{9}{16}$ "(243mm)	
17"(430mm)	17 $\frac{1}{2}$ "(433mm)	2 $\frac{15}{16}$ " (75mm)
32"(810mm)	32 $\frac{1}{2}$ "(813mm)	
62"(1570mm)	62 $\frac{3}{8}$ "(1573mm)	



PRE-MADE WALL PANEL

PANEL WALL CUT-OUT		
MODEL	X	Y
10"(240mm)	9 $\frac{9}{16}$ "(243mm)	
17"(430mm)	17 $\frac{1}{2}$ "(433mm)	2 $\frac{15}{16}$ " (75mm)
32"(810mm)	32 $\frac{1}{2}$ "(813mm)	
62"(1570mm)	62 $\frac{3}{8}$ "(1573mm)	

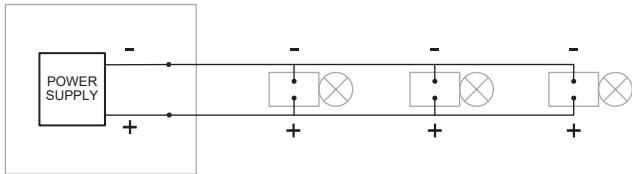


FIXTURE INSTALLATION

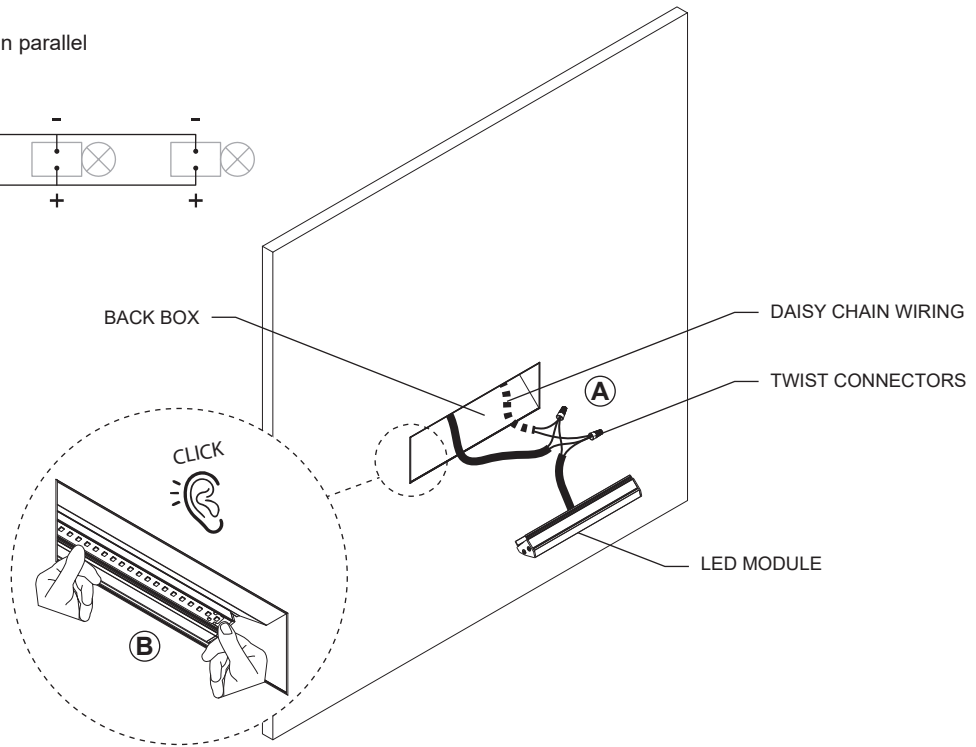
- A- MAKE ALL THE NECESSARY CONNECTIONS INTO THE ALUMINUM BACK BOX (**FOLLOWING WIRING DIAGRAM AND POLARITY MARKING**), USING TWIST CONNECTORS.
- B- INSERT THE LED MODULE INTO THE BACK BOX AND SNAP IT IN PLACE. TO PREVENT ANY MALFUNCTIONS AND HAZARDS, BE CAREFUL TO NOT SQUEEZE ANY WIRES DURING INSERTION.

WIRING DIAGRAM

Multiple luminaires must be connected in parallel



LED +	RED
LED -	BLACK



FINISHING

INSTALL THE ALUMINUM FINISHING PANEL (**INCLUDED**) OR ANY CUSTOM WALL COVERING (**NOT INCLUDED**) INTO THE BACK BOX.

* THE ALUMINUM FINISHING PANEL CAN BE PAINTED THE SAME COLOR AS THE WALL.

** USE DESIRED ADHESIVE FOR THE CUSTOM WALL COVERING.

