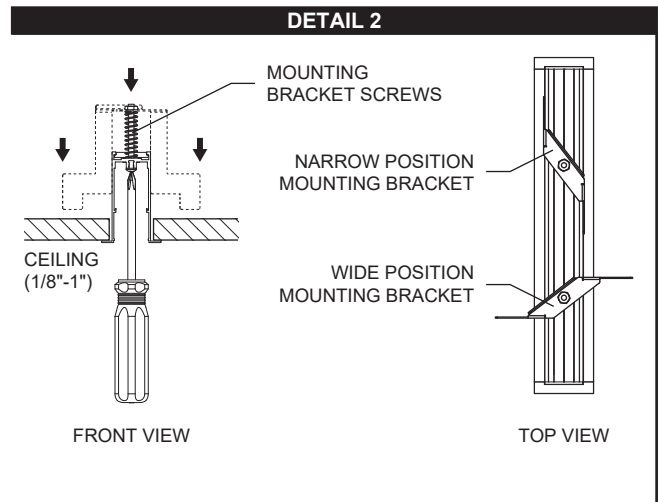
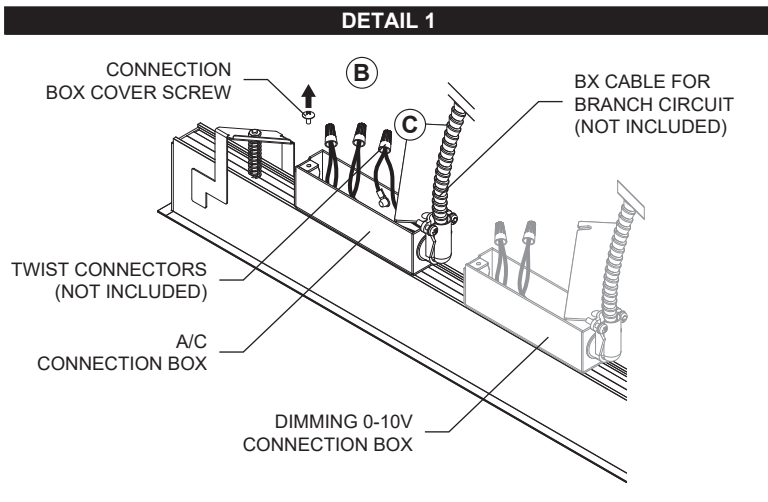
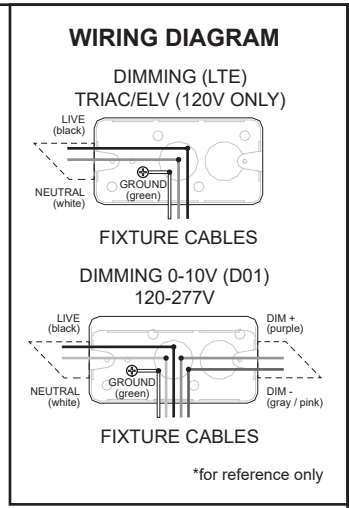
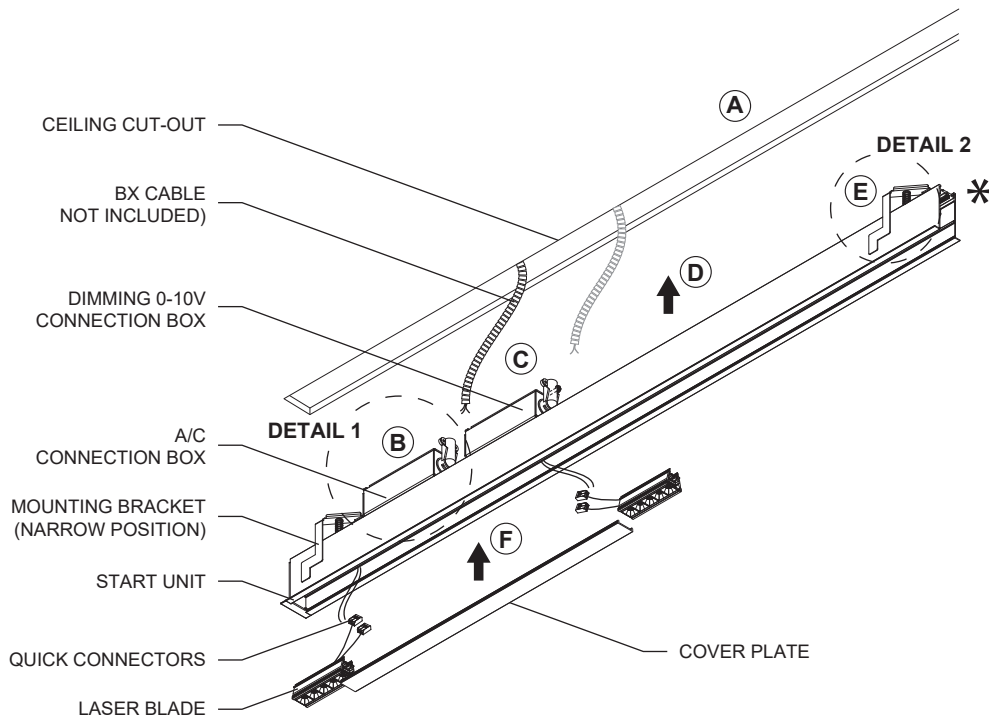


IMPORTANT - READ CAREFULLY BEFORE INSTALLING FIXTURE. RETAIN THESE INSTRUCTIONS FOR FUTURE REFERENCE. THIS PRODUCT MUST BE INSTALLED IN ACCORDANCE WITH THE NATIONAL ELECTRICAL CODE AND ALL APPLICABLE LOCAL CODES, BY A PERSON FAMILIAR WITH THE CONSTRUCTION AND OPERATION OF THE PRODUCT, AND THE HAZARDS INVOLVED. PROPER GROUNDING IS REQUIRED FOR SAFETY.

⚠ DISCONNECT THE MAIN LINE BEFORE WIRING SECONDARY CONNECTORS.

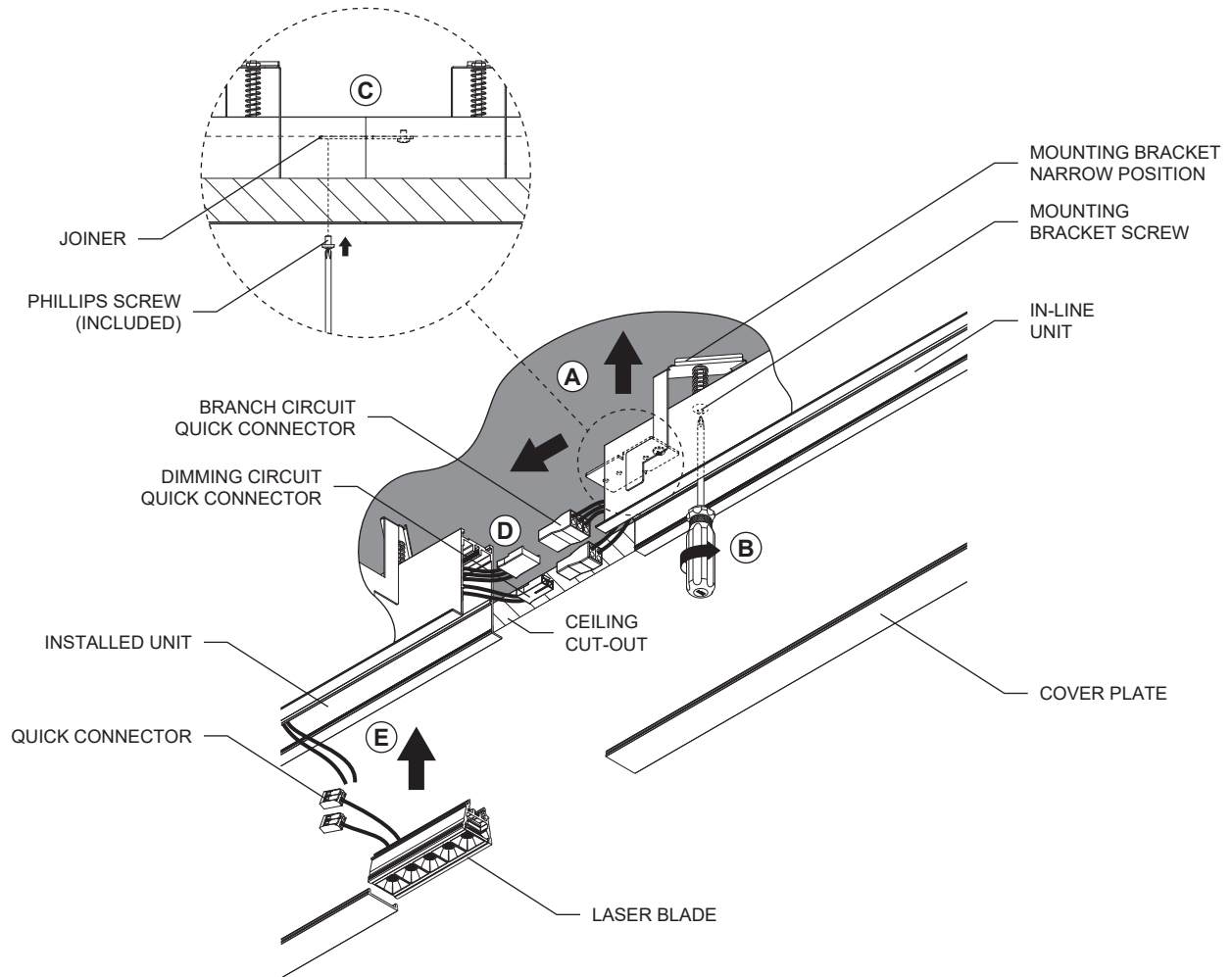
START UNIT INSTALLATION
INTEGRAL DRIVER (120 / 277V)
DIMMING TRIAC/ELV (10% OR 0-10V (1%))

- A- MAKE THE CEILING CUT-OUT (SEE TABLE ON PAGE 3).
- B- OPEN THE CONNECTION BOXES ON TOP OF THE UNIT. UNSCREW THE BOXES PHILLIPS SCREW TO SLIDE OUT THE COVER. (SEE DETAIL 1)
- C- INSERT AND LOCK THE BX CABLE (NOT INCLUDED) INTO THE BX CONNECTORS (INCLUDED) AND MAKE NECESSARY WIRE CONNECTIONS (SEE WIRING DIAGRAM) USING TWIST CONNECTORS (NOT INCLUDED).
- D- WITH THE MOUNTING BRACKETS IN THE NARROW POSITION, GENTLY INSERT THE START UNIT INTO THE CEILING CUT-OUT.
- E- SCREW THE MOUNTING BRACKET SCREWS CLOCKWISE TO WIDEN AND LOWER THE MOUNTING BRACKETS ON THE CEILING. (SEE DETAIL 2)
- F- CONNECT THE FIXTURES USING THE QUICK CONNECTORS (INCLUDED) AND SNAP THEM INTO THE UNIT. FILL THE FIRST GAP WITH THE COVER PLATE.



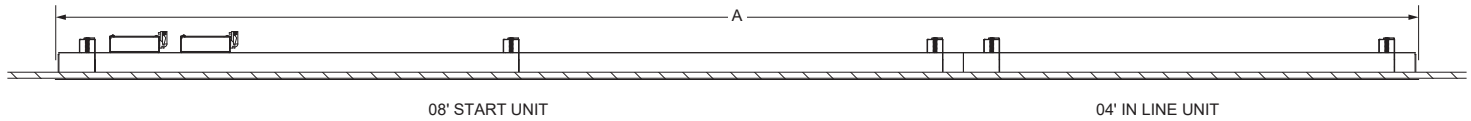
IN-LINE UNIT INSTALLATION

- A- WITH THE MOUNTING BRACKETS IN THE NARROW POSITION, GENTLY INSERT THE IN-LINE FIXTURE INTO CEILING CUT-OUT AND SLIDE IT AGAINST THE INSTALLED UNIT. MAKE SURE NOT TO PINCH ANY WIRES.
- B- SCREW MOUNTING BRACKET SCREWS CLOCKWISE TO SECURE THE IN-LINE UNIT. BEFORE ANCHORING, MAKE SURE THERE IS NO GAP BETWEEN THE UNITS.
- C- FASTEN THE JOINER PHILLIPS SCREW (**INCLUDED**) TO THE INSTALLED FIXTURE UNIT.
- D- MAKE THE NECESSARY CONNECTIONS USING THE QUICK CONNECTORS BETWEEN UNITS.
- E- CONNECT THE LASER BLADE USING THE QUICK CONNECTORS AND SNAP THE COVER PLATES IN THE GAPS.
- F- REPEAT STEPS **A** TO **E** FOR ALL NEW IN-LINE FIXTURES.



RECESSED CUT-OUT DIMENSIONS

IN LINE SYSTEM



CUT-OUT FOR LINEAR RECESSED MODEL 3452*		
Nominal length	Actual length (A)	Cut-out
04'	4'-5/16" (1.233m)	1 3/8" x 4'-1/8" (35mm x 1.224m)
08'	8'-1/4" (2.450m)	8'-1/16" (35mm x 2.441m)
12'	12'-1/8" (3.664m)	1 3/8" x 11'-11 1/2" (35mm x 3.655m)
16'	16'-1/16" (4.881m)	1 3/8" x 15'-11 3/4" (35mm x 4.872m)
20'	19'-11 1/16" (6.095m)	1 3/8" x 19'-11 5/16" (35mm x 6.086m)
24'	23'-11 1/2" (7.312m)	1 3/8" x 23'-11 5/16" (35mm x 7.303m)
28'	27'-11 3/8" (8.526m)	1 3/8" x 27'-11 3/16" (35mm x 8.517m)
32'	31'-11 5/16" (9.743m)	1 3/8" x 31'-11 1/8" (35mm x 9.734m)
36'	35'-11 3/16" (10.957m)	1 3/8" x 35'-11" (35mm x 10.948m)
40'	39'-11 3/16" (12.174m)	1 3/8" x 39'-10 1/2" (35mm x 12.165m)
44'	43'-11 1/16" (13.388m)	1 3/8" x 43'-10 7/16" (35mm x 13.379m)
48'	47'-11" (14.605m)	1 3/8" x 47'-10 3/8" (35mm x 14.596m)
52'	51'-10 3/16" (15.819m)	1 3/8" x 51'-10 1/4" (35mm x 15.810m)
56'	59'-10 5/16" (17.036m)	1 3/8" x 55'-10 3/16" (35mm x 17.027m)
60'	59'-10 5/16" (18.250m)	1 3/8" x 55'-10 3/16" (35mm x 18.241m)
64'	63'-10 1/4" (19.467m)	1 3/8" x 63'-10 1/16" (35mm x 19.458m)
68'	67'-10 1/8" (20.681m)	1 3/8" x 67'-9 1/2" (35mm x 20.672m)
72'	71'-10 1/16" (21.898m)	1 3/8" x 71'-9 7/16" (35mm x 21.889m)
76'	75'-9 1/2" (23.112m)	1 3/8" x 75'-9 5/16" (35mm x 23.103m)
80'	79'-9 1/2" (24.329m)	1 3/8" x 79'-9 1/4" (35mm x 24.320m)
84'	83'-9 3/8" (25.543m)	1 3/8" x 83'-9 1/8" (35mm x 25.534m)
88'	87'-9 5/16" (26.760m)	1 3/8" x 87'-9 1/8" (35mm x 26.751m)
92'	91'-9 3/16" (27.974m)	1 3/8" x 91'-8 5/16" (35mm x 27.965m)
96'	95'-9 3/8" (27.974m)	1 3/8" x 95'-8 1/2" (35mm x 29.182m)