

MINIZIP COMFORT

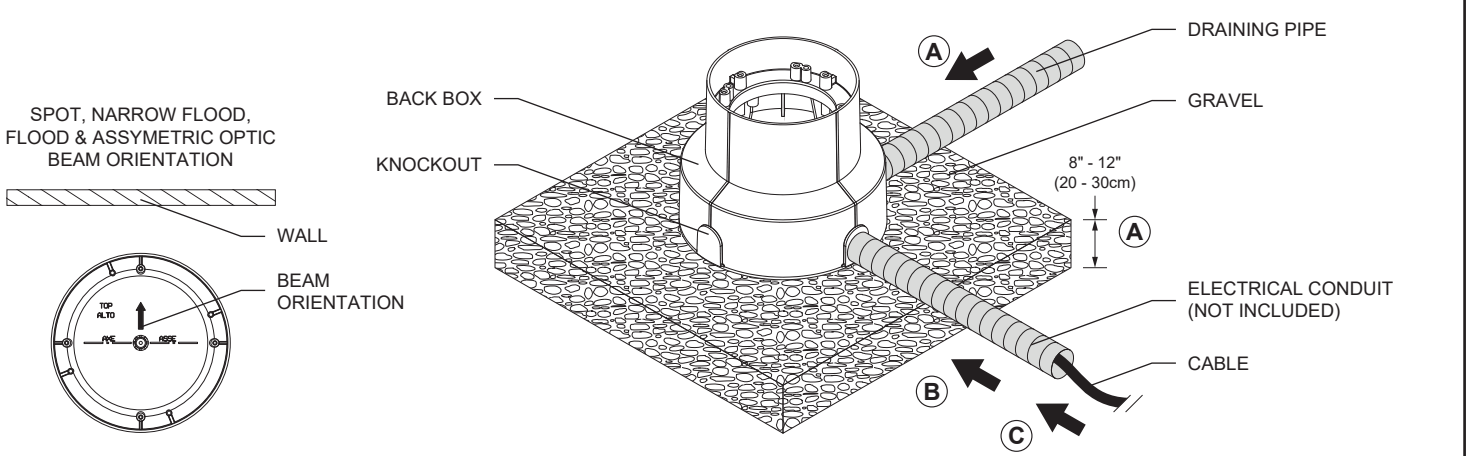
WALK-OVER ROUND MODELS: S7805, S7831, S7832, S7833, S8805, S8831, S8832, S8833
 WALK-OVER SQUARE MODELS: S7825, S7835, S7836, S7837, S8825, S8835, S8836, S8837

IMPORTANT - READ CAREFULLY BEFORE INSTALLING FIXTURE. RETAIN THESE INSTRUCTIONS FOR FUTURE REFERENCE.
 THIS PRODUCT MUST BE INSTALLED IN ACCORDANCE WITH THE NATIONAL ELECTRICAL CODE AND ALL APPLICABLE LOCAL CODES, BY A PERSON FAMILIAR WITH THE CONSTRUCTION AND OPERATION OF THE PRODUCT, AND THE HAZARDS INVOLVED. PROPER GROUNDING IS REQUIRED FOR SAFETY.

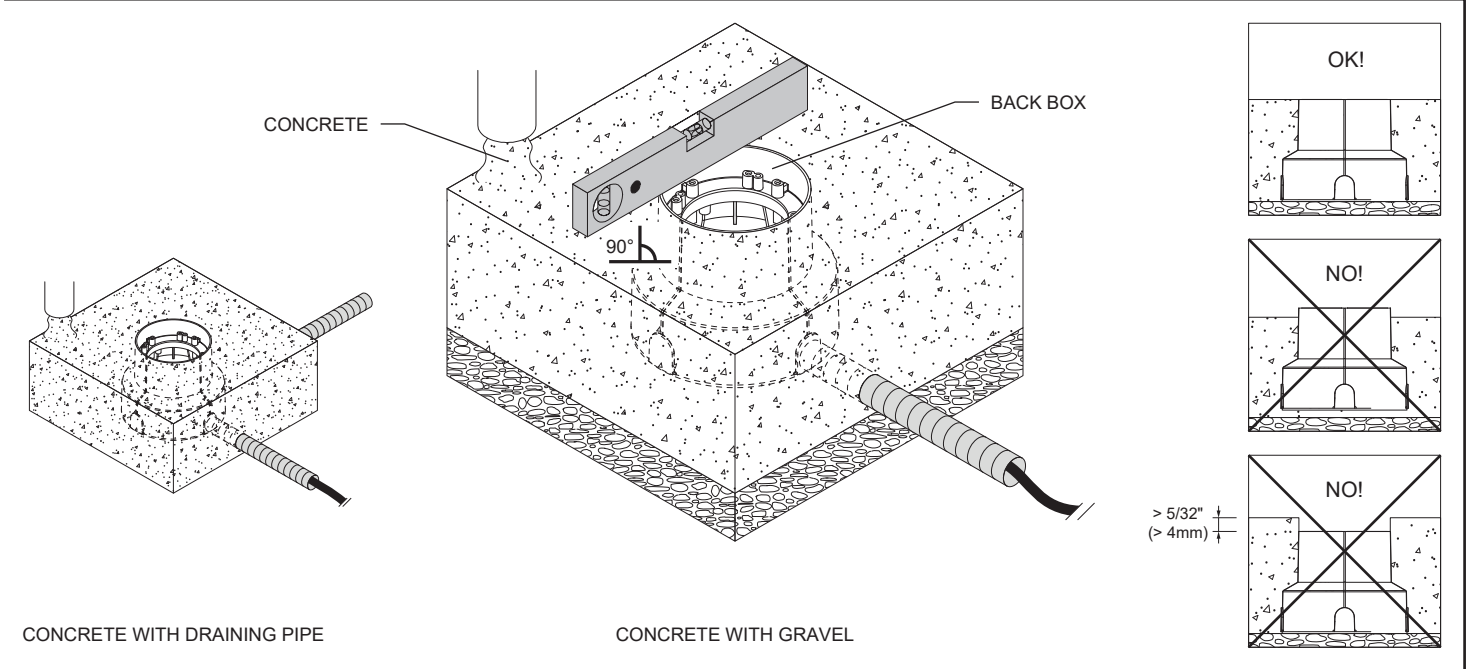
BACK BOX INSTALLATION

- A- PREPARE THE DESIRED DRAINING EQUIPMENT TO ENSURE COMPLETE BACK BOX DRAINAGE IN UNDER 30 MINUTES:
 - NEW INSTALLATION:** 8" TO 12" (20-30cm) OF GRAVEL UNDER THE BACK BOX.
 - OVER EXISTING SURFACES:** INSTALL A DRAINING PIPE TO THE BACK BOX.
- B- REMOVE THE DESIRED KNOCKOUT AND INSTALL AN APPROPRIATE ELECTRICAL CONDUIT (**NOT INCLUDED**) INTO THE BACK BOX.
- C- FEED CABLE THROUGH THE ELECTRICAL CONDUIT.
- D- POUR CONCRETE IN AND MAKE SURE THAT THE BACK BOX OPENING IS FLUSH WITH THE CONCRETE.
 - DO NOT EXCEED 5/32" (4mm) OF CONCRETE ABOVE THE BACK BOX OPENING.

A + B + C

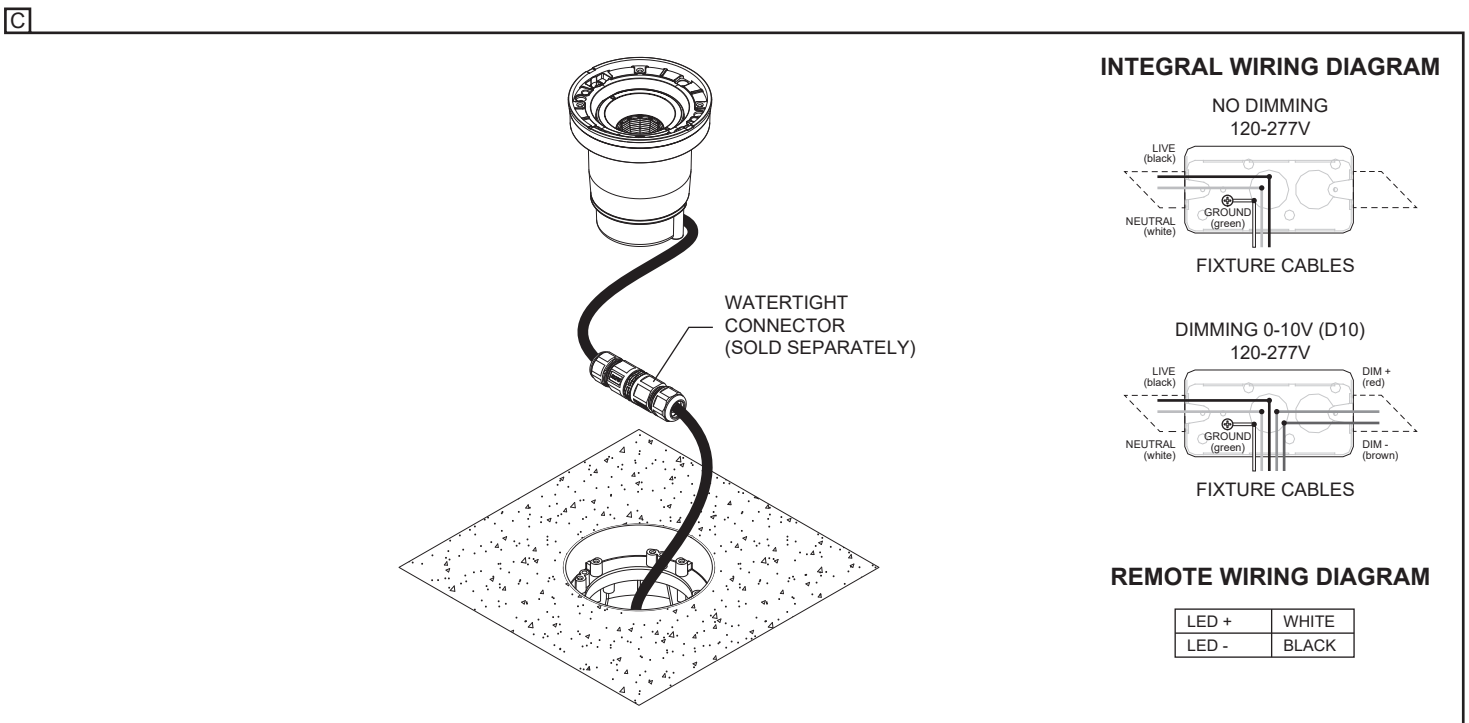
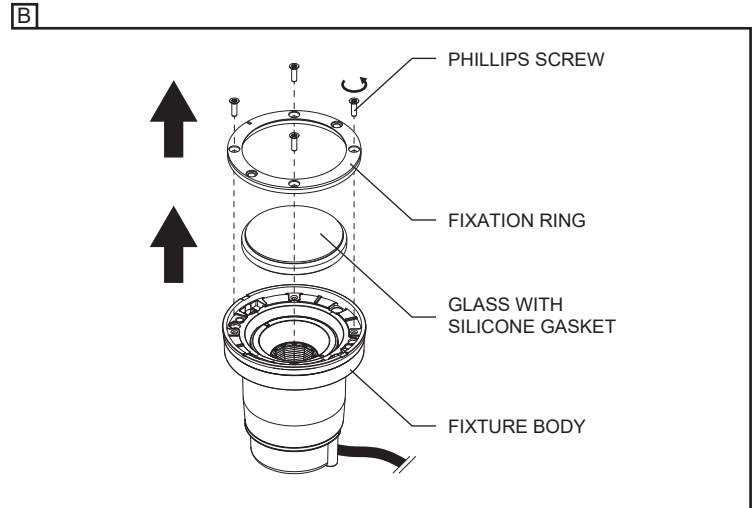
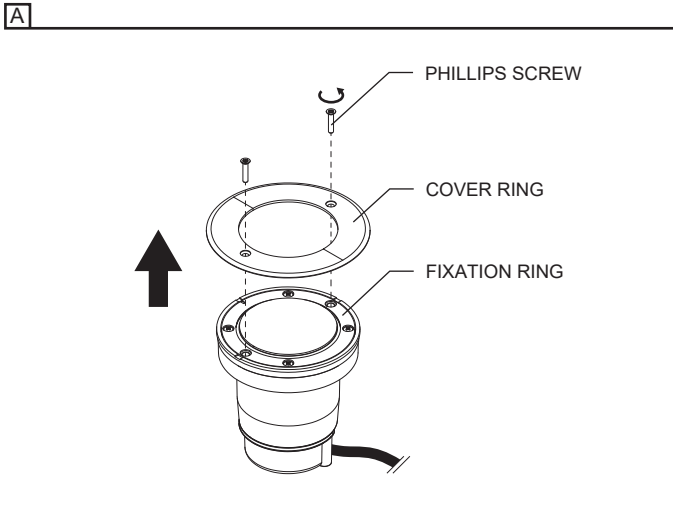


D



FIXTURE INSTALLATION
REMOTE DRIVER (REM)
INTEGRAL DRIVER (120-277V) • NO DIMMING / DIMMING 0-10V (15%)

- A- UNSCREW THE (2) COVER RING PHILLIPS SCREWS.
 B- UNSCREW THE (4) FIXATION RING PHILLIPS SCREWS AND PULL THE GLASS WITH SILICONE GASKET FROM THE FIXTURE BODY.
 C- MAKE THE NECESSARY WIRE CONNECTIONS (**FOLLOWING WIRING DIAGRAM**) USING A WATERTIGHT CONNECTOR (**SOLD SEPARATELY**).



MINIZIP COMFORT

WALK-OVER ROUND MODELS: S7805, S7831, S7832, S7833, S8805, S8831, S8832, S8833
WALK-OVER SQUARE MODELS: S7825, S7835, S7836, S7837, S8825, S8835, S8836, S8837

D- INSTALL THE FIXTURE INTO THE BACK BOX USING THE (4) PHILLIPS SCREWS (INCLUDED).

***BEFORE SCREWING THE FIXTURE IN THE BACK BOX:**

IF YOU HAVE UNDER 5/32" (4mm) OF CONCRETE EXCEEDING THE BACK BOX, LIFT THE FIXTURE BODY FLUSH WITH THE BACK BOX BY SCREWING (2) SET SCREWS (INCLUDED) USING THE ALLEN KEY (INCLUDED).

E- FOR MODELS WITH SPOT, NARROW FLOOD, FLOOD AND ASYMMETRIC OPTICS:

SET TO THE DESIRED ANGLE ($\pm 15^\circ$) BY PUSHING ON THE OPTIC NOTCHES.

F- REASSEMBLE THE FIXTURE:

- 1- PUSH THE GLASS WITH SILICONE GASKET INTO THE FIXTURE BODY.
- 2- SCREW THE FIXATION RING IN THE FIXTURE BODY USING THE (4) PHILLIPS SCREWS.
- 3- SCREW THE COVER RING IN THE FIXATION RING USING THE (2) PHILLIPS SCREWS.

