

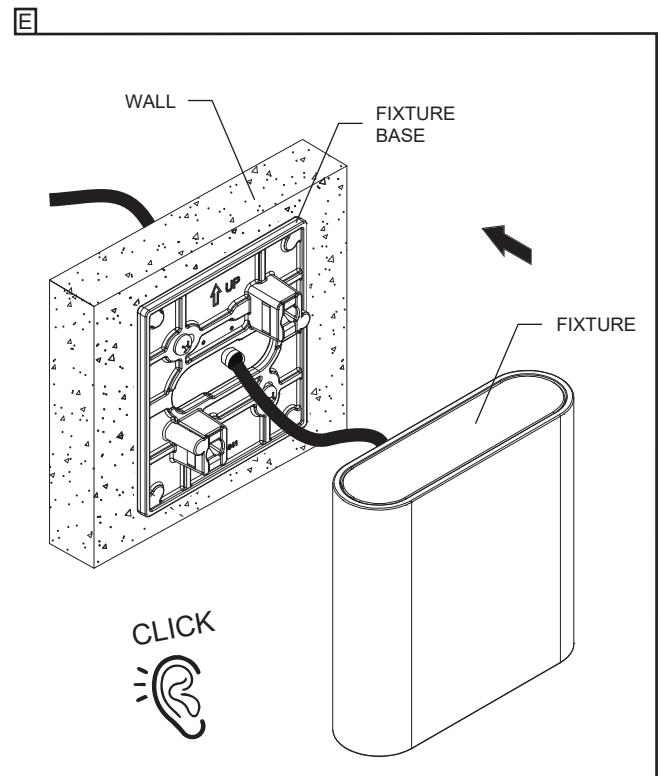
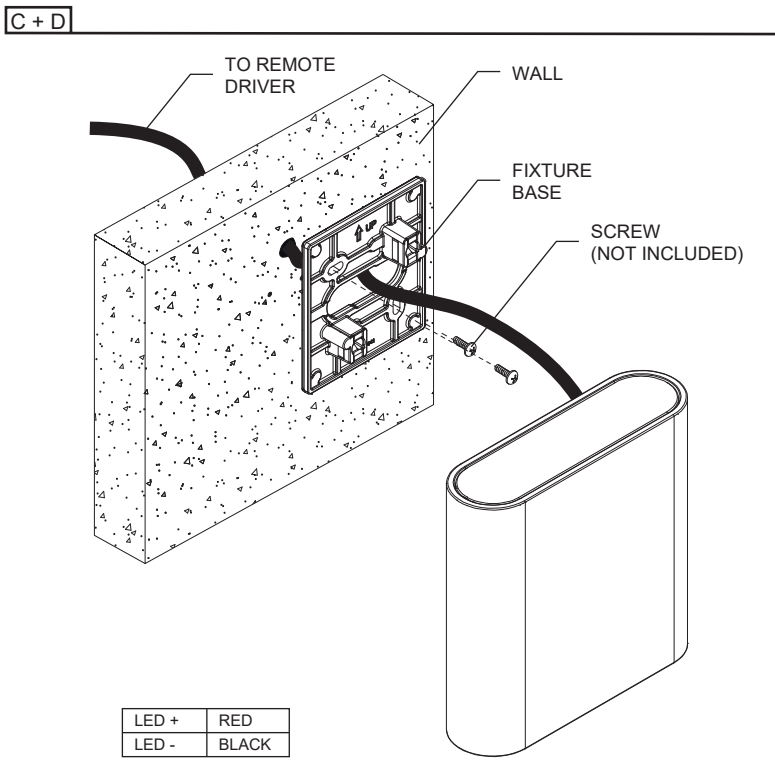
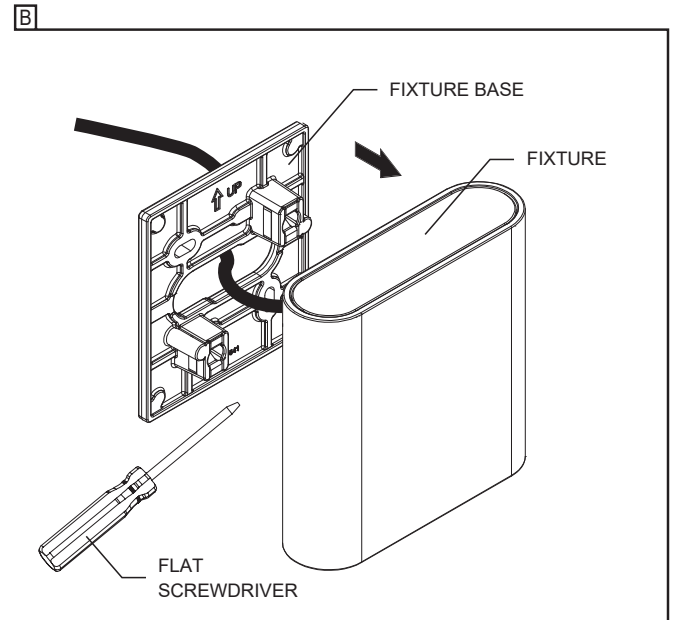
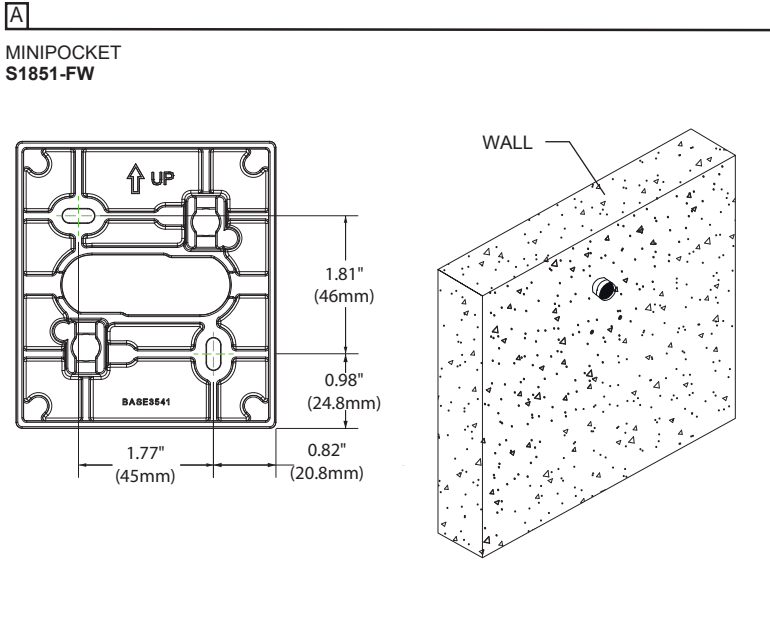
POCKET REMOTE

MODEL: S1851

IMPORTANT - READ CAREFULLY BEFORE INSTALLING FIXTURE. RETAIN THESE INSTRUCTIONS FOR FUTURE REFERENCE. THIS PRODUCT MUST BE INSTALLED IN ACCORDANCE WITH THE NATIONAL ELECTRICAL CODE AND ALL APPLICABLE LOCAL CODES, BY A PERSON FAMILIAR WITH THE CONSTRUCTION AND OPERATION OF THE PRODUCT. USE ONLY WITH CLASS 2, MAX 35VDC

SURFACE INSTALLATION WITH FIXTURE WHIP TO REMOTE DRIVER (FW-REM)

- A- PREPARE INSTALLATION SURFACE (SEE DIMENSIONS BELOW).
- B- UNCLIP THE BASE FROM THE FIXTURE WITH A FLAT SCREWDRIVER.
- C- SECURE THE BASE TO THE SURFACE USING APPROPRIATE (2) SCREWS MAX #8 (NOT INCLUDED).
- D- MAKE WIRE CONNECTIONS, RED (+), BLACK (-), USING TWIST CONNECTORS (NOT INCLUDED).
- E- CLIP THE FIXTURE TO THE BASE.



4" JUNCTION BOX INSTALLATION WITH REMOTE DRIVER (JB-REM)

- A- INSTALL THE MOUNTING PLATE ON THE JUNCTION BOX USING APPROPRIATE (2) SCREWS #8-32 (NOT INCLUDED)
- B- UNCLIP THE BASE FROM THE FIXTURE WITH A FLAT SCREWDRIVER.
- C- FASTEN THE BASE ON THE MOUNTING PLATE USING (2) PHILLIPS SCREWS (INCLUDED).
- D- MAKE WIRE CONNECTIONS, RED (+), BLACK (-), USING TWIST CONNECTORS (NOT INCLUDED) ONCE CONNECTED, PUSH THE WIRES BACK INTO THE JUNCTION BOX.
- E- CLIP THE FIXTURE TO THE BASE.

